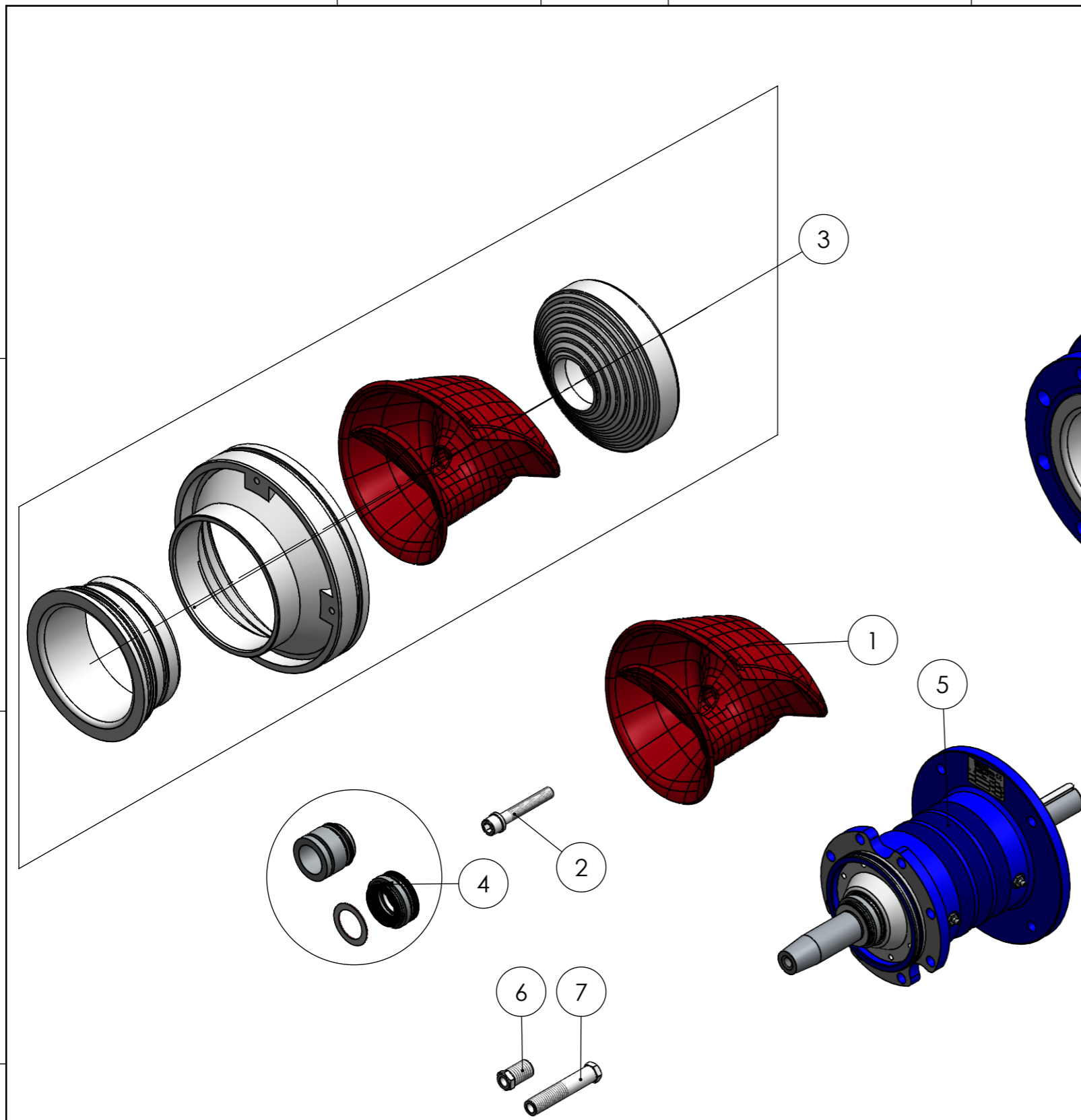


All rights strictly reserved. Reproduction or issue to third parties in any form whatever is not permitted without written authority from the proprietor. Property of Impulse Holding B.V. Copyright Impulse Pumps B.V.



ITEM NO.	PART NUMBER	DESCRIPTION	QTY.
1	30085	Impeller SIP-150 6 inch	1
2	33698	IMPELLER BOLT WITH WASHER M14 x 90 mm	1
3	33699	SIP 150-6 INTERNAL REPLACEMENT SET	1
4	33697	SEAL SET SIP 100-4 / SIP 150-6	1
5	30086	BEARING HOUSE REPLACEMENT SIP-100-150 (+BACKSEAL)	1
6	30113	Adjustment Screw Pump House SIP-100-150	1
7	30093	Adjustment Screw Back Cone SIP-100-150	1
8	30108	V-Ring Seal 37 x 55 x 9 mm	1

Revision information				UNSPECIFIED GEOMETRICAL, LINEAR AND ANGULAR TOLERANCE SHALL CONFORM TO ISO 2768-MK (UNLESS OTHERWISE STATED)		format	scale	projection	
Rev	Date	Drn	Appr	Info		A3	1:6		
A	13-06-2023	JG	JG	-		Drawn: Mrlp		web: www.impulsebv.com	
-	30-08-2022		JE	-		Date: 18-10-2021		Material:	
						Rev.: A		Weight: 133.13 Kg	
						State: Approved		Treatm.: Assemble	
PDM No. : 30081				Title: SIP-150 PUMP COMPLETE					