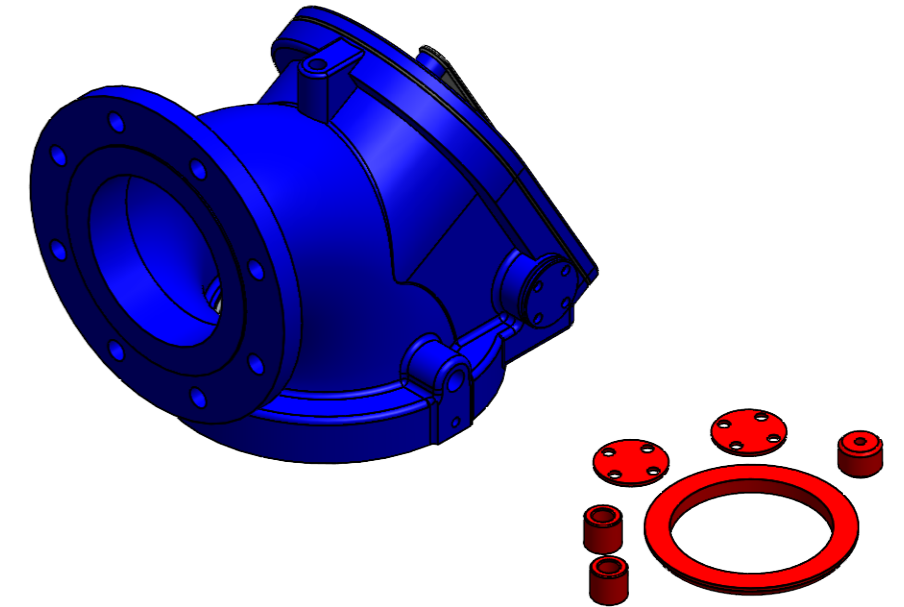
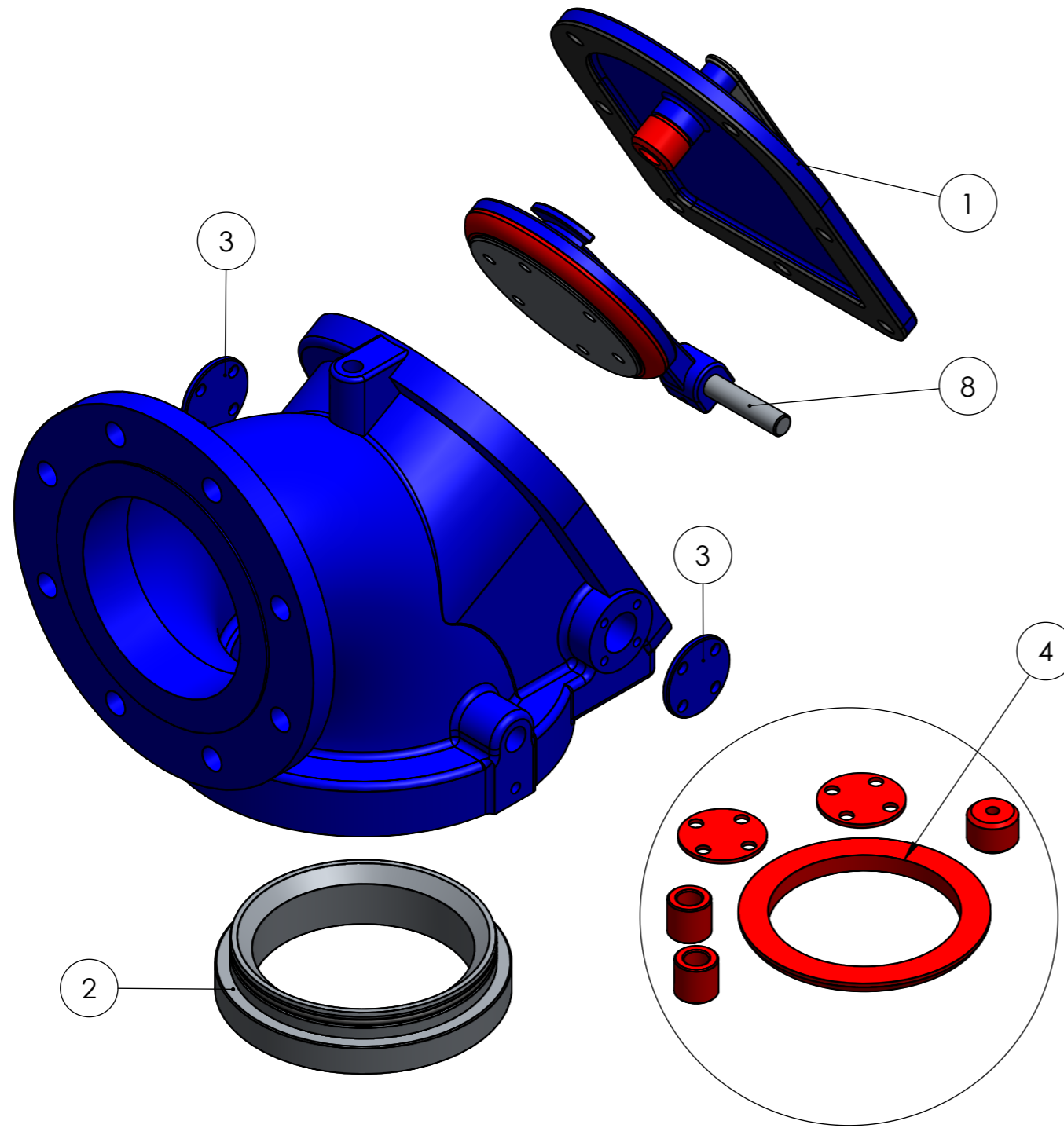



FLAP VALVE 150-6 SPAREPARTS



ITEM NO.	PART NUMBER	DESCRIPTION	QTY.
1	33686	COVER FLAP 150-6 inch	1
2	33688	NRV 150-6 FLAP VALVE SEAT WITH O-RING	1
3	30204	Bearing Cover Flap Valve 150-6 inch	2
4	33687	SEAL SET (PU) NRV 150-6	1
5	30199	Flap Valve 150-6 inch with 6 holes	1

Revision information		UNSPECIFIED GEOMETRICAL, LINEAR AND ANGULAR TOLERANCE SHALL CONFORM TO ISO 2768-MK (UNLESS OTHERWISE STATED)		format	scale	projection	 Dewatering Technologies
6	30200	Flap Valve	PU-Seal	A3	1:4	150-6 inch	
B	02-08-2023	JG	30201	Flap Valve	Seal	SS-Plate	150-6 inch
A	08-06-2023	JG	JG	-	Date:	08-06-2023	Material:
-	08-06-2023	JG	-	-	Rev.:	B	Weight:
8	30203	Flap Valve	Shaft	150-6 inch	State:	Approved	47.32 Kg
PDM No. : 30195		Title: FLAP VALVE 150-6 INCH COMPLETE		web:		www.impulsebv.com	
				Material:		Assemble	

All rights strictly reserved. Reproduction or issue to third parties in any form whatever is not permitted without written authority from the proprietor. Property of Impulse Holding B.V. Copyright Impulse Pumps B.V.