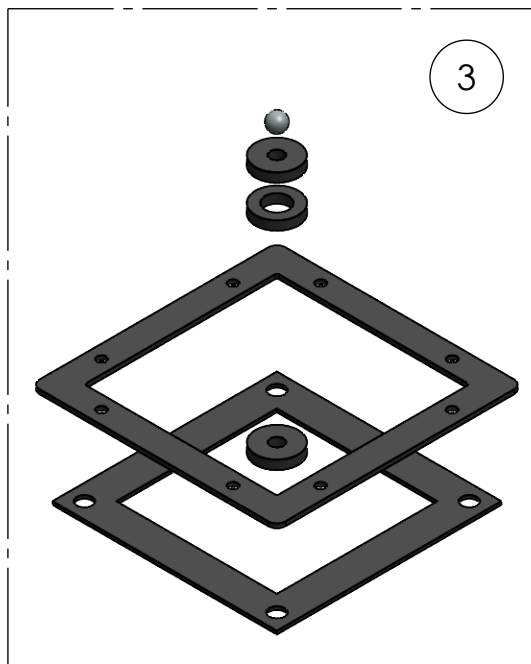
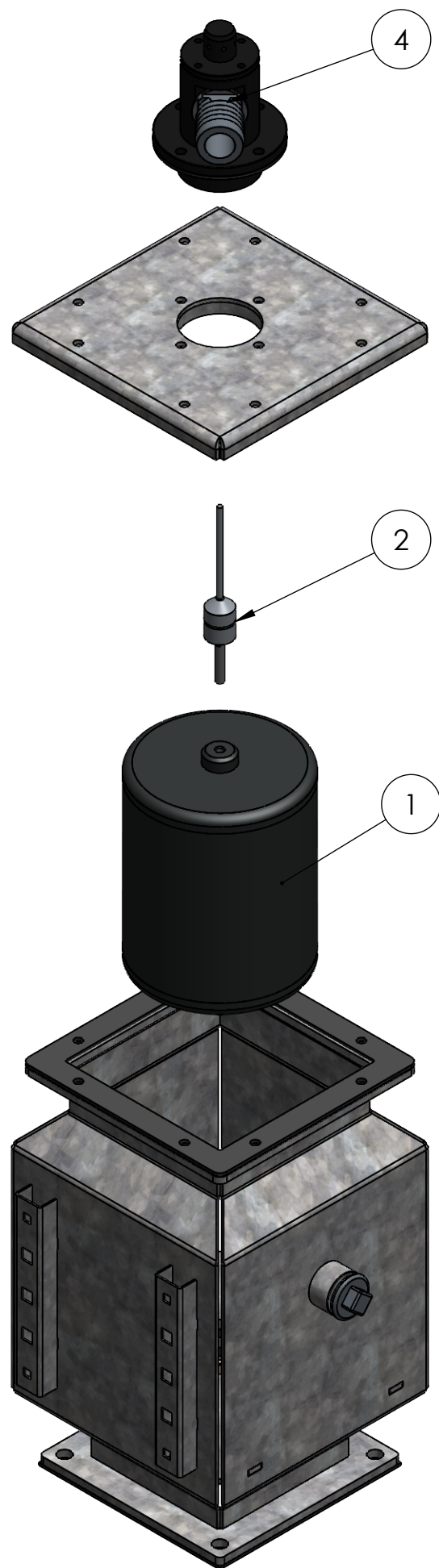


SWIMMER BOX SPAREPARTS



All rights strictly reserved. Reproduction or issue to third parties in any form
 whatever is not permitted without written authority from the proprietor.
 Property of Impulse Holding B.V. Copyright Impulse Pumps B.V.

ITEM NO.	PART NUMBER	DESCRIPTION	QTY.
1	30245	WELD ASSY FLOATER SWIMMER BOX	1
2	30253	KNOB WELD ASSY SNIFTER VALVE	1
3	33813	SWIMMERBOX BALL AND SEAL SET	1
4	33843	SNIFTER VALVE HOUSING	1

Revision information					UNSPECIFIED GEOMETRICAL, LINEAR AND ANGULAR TOLERANCE SHALL CONFORM TO ISO 2768-MK (UNLESS OTHERWISE STATED)	format	scale	projection	
Rev	Date	Drn	Appr	Info	A3	1:5			
F	26-07-2023	JG	JG	-	Drawn: AK			web: www.impulsebv.com	
E	26-07-2023	JG	JG	-	Date:			Material:	
D	26-07-2023	JG	JG	-	Rev. : F			Weight: 18.91 Kg	
C	17-07-2023	JG	JG	-	State: Approved			Treatm. : Assemble	
PDM No. : 30240					Title: SWIMMER BOX STANDARD COMPLETE				