

A

B

C

D

E

F

A

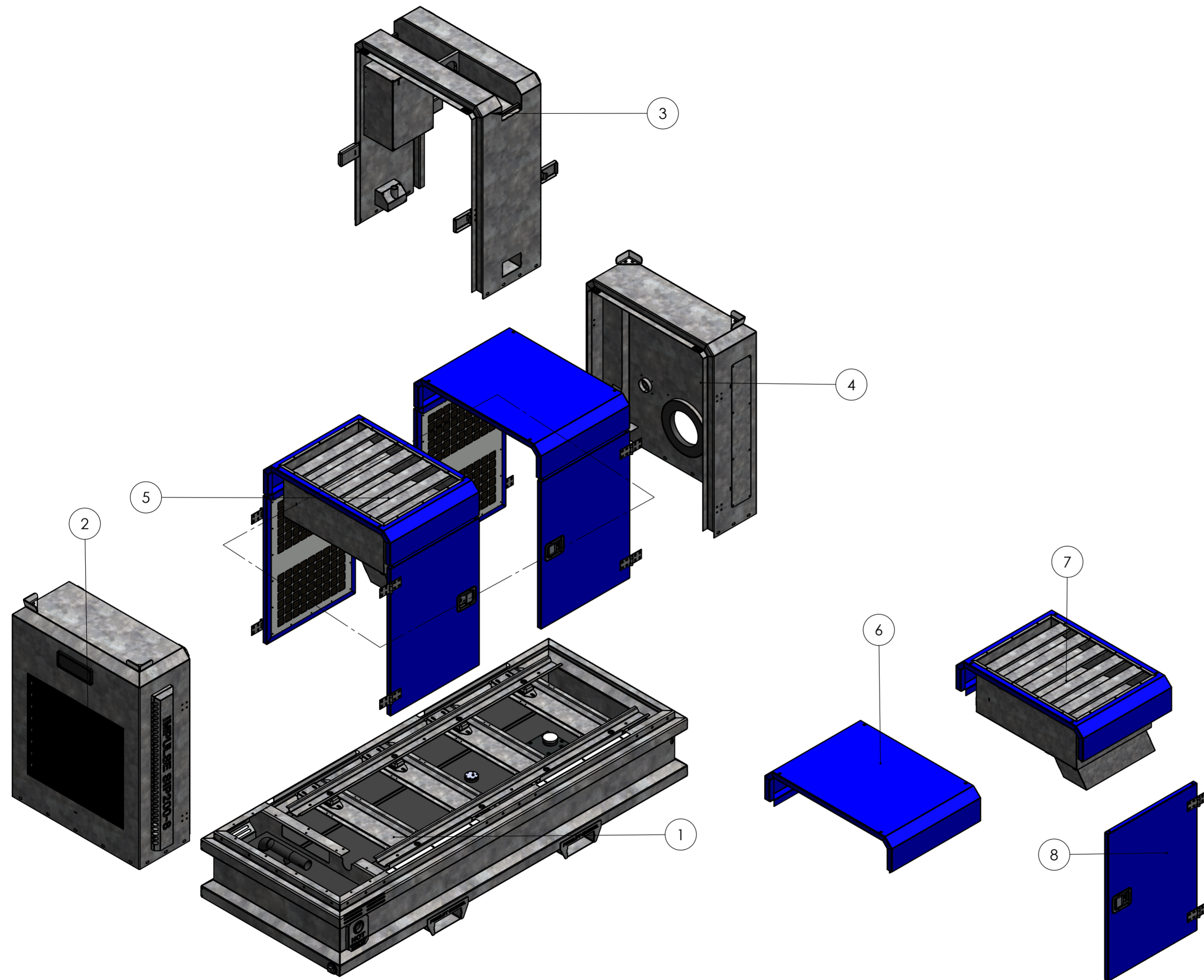
B

C

D

E

F



ITEM NO.	PART NUMBER	DESCRIPTION	QTY.
1	32865	UNDER BASE SIP-200 COMPLETE	1
2	32922	PANEL C STANDARD SIP-200-8	1
3	30336	MIDDLE PANEL MEDIUM CANOPY SIP-200	1
4	30337	PANEL D STANDARD SIP-200	1
5	33812	PANEL SET MEDIUM CANOPY SIP 200-8 HATZ 4M41	1
6	30338	WELD ASSY TOP PANEL SIP-200	1
7	30339	TOP PANEL EXHAUST SIP-200	1
8	20380	DOOR WITH LOCKER 1010 mm x 705 mm COMPLETE	1

Revision information					UNSPECIFIED GEOMETRICAL, LINEAR AND ANGULAR TOLERANCE SHALL CONFORM TO ISO 2768-MK (UNLESS OTHERWISE STATED)			format	scale	projection	
Rev	Date	Drn	Appr	Info	A2	1:18	⊕	Drawn: JG	web: www.impulsebv.com		
B	19-07-2023	JG	JG	-	Date:	13-07-2023	Material:	Rev.: B	Weight: 1024.50 Kg		
A	19-07-2023	JG	JG	-	State: Approved	Treatm.: Assemble					
-	17-07-2023	JG	-	PDM No. : 30332 Title: CANOPY MEDIUM SIP-200 HATZ 4M41							

All rights strictly reserved. Reproduction or issue to third parties in any form
 whatever is not permitted without written authority from the proprietor.
 Property of Impulse Holding B.V. Copyright Impulse Pumps E.V.