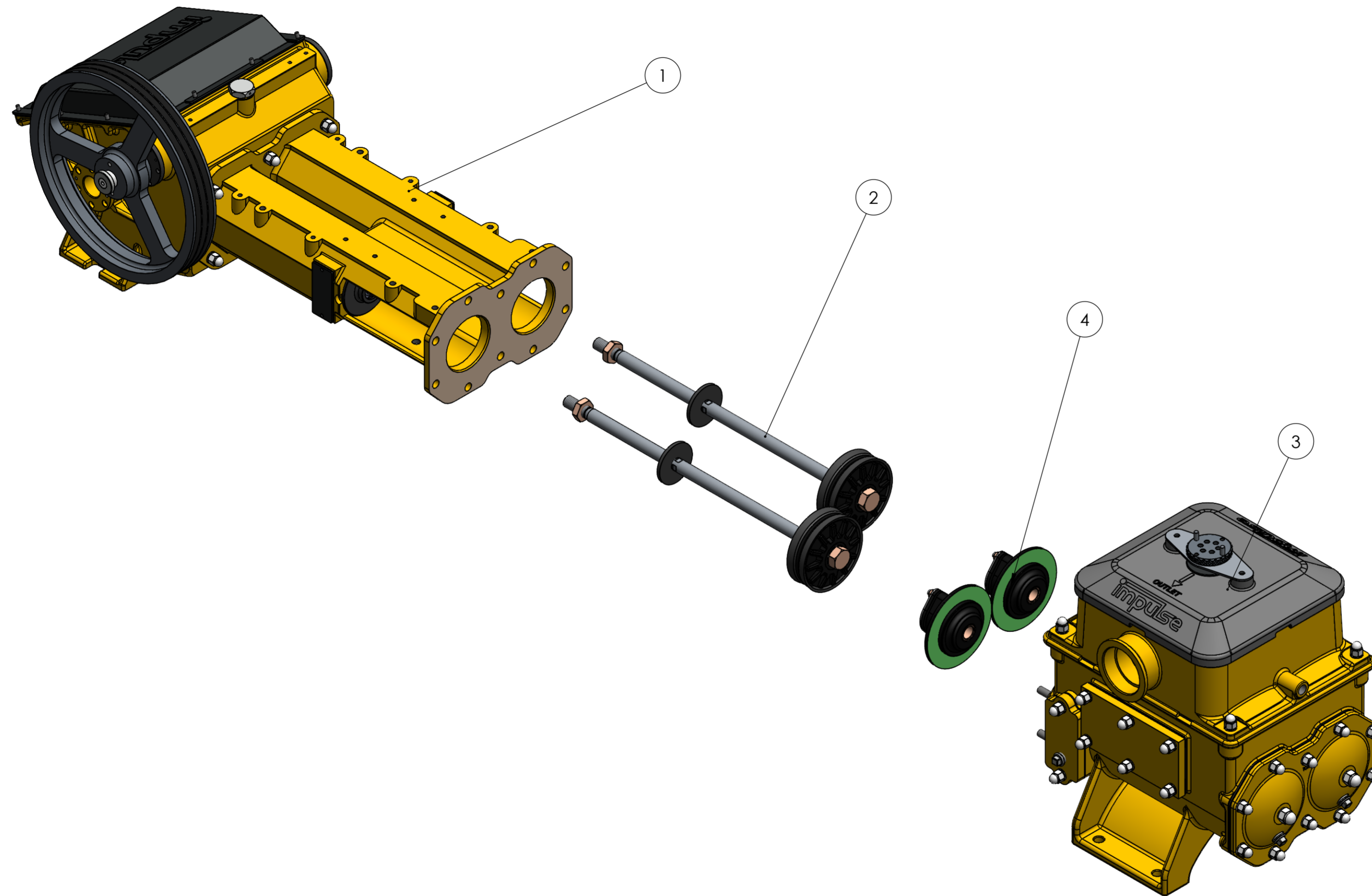



# IP-PRO MAIN COMPONENTS SPAREPARST



ITEM NO.	PART NUMBER	DESCRIPTION	QTY.
1	30901	GEARBOX IP-PRO COMPLETE RHS	1
2	30982	PISTON ROD IP-PRO COMPLETE	2
3	30968	PUMP HOUSE IP-PRO COMPLETE	1
4	32638	GLAND PACKING HOUSE COMPLETE BA-U FIBRE GASKET	2

Revision information					UNSPECIFIED GEOMETRICAL, LINEAR AND ANGULAR TOLERANCE SHALL CONFORM TO ISO 2768-MK (UNLESS OTHERWISE STATED)			format	scale	projection	
Rev	Date	Drn	Appr	Info	A2	1:8	⊕				
Q	13-07-2023	JG	JG	-	Drawn:	AK	web:	www.impulsebv.com			
P	22-06-2023	JG	JG	-	Date:	13-10-2022	Material:				
O	07-06-2023	JG	JG	-	Rev.:	Q	Weight:	541.12 Kg			
N	18-04-2023	JG	JG	-	State:	Approved	Treatm.:	Assemble			

**PDM No. : 30899**      **Title: IP-PRO 175 PUMP COMPLETE**