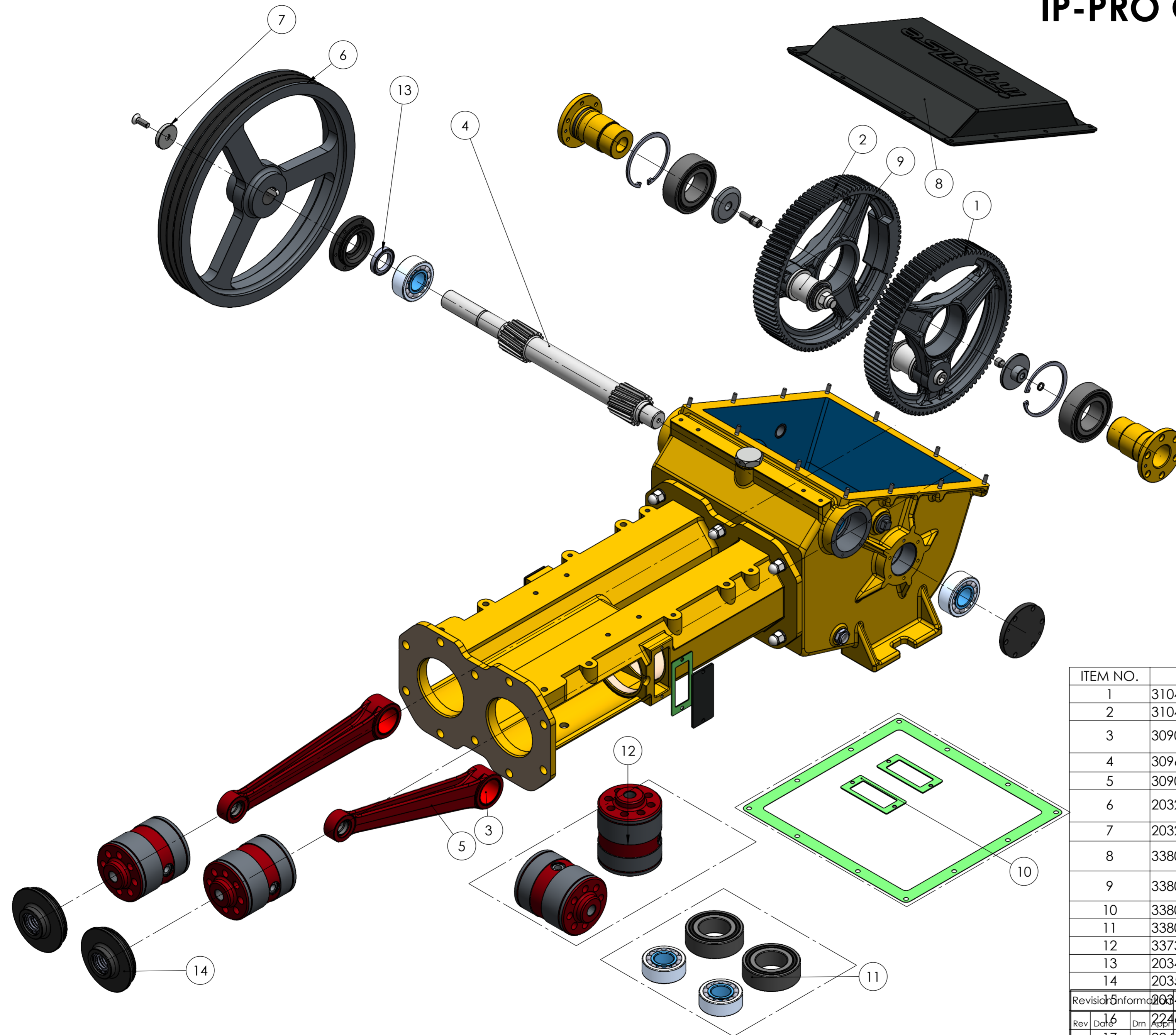


IP-PRO GEARBOX SPAREPARTS



ITEM NO.	PART NUMBER	DESCRIPTION	QTY.
1	31044	Toothed Wheel Side A IP-PRO	1
2	31045	Toothed Wheel Side B IP-PRO	1
3	30906	GGB DP4 PTFE Bearing Bush 55 x 60 x 50 mm	2
4	30961	Pinion Shaft IP-PRO Pulley Side B	1
5	30908	Connection Rod IP-PRO	2
6	20322	V-Belt Pulley SPB OD 505 mm - ID 40 mm	1
7	20328	Pulley Protection Plate	1
8	33809	GEARBOX COVER IP-PRO WITH GASKET	1
9	33804	CONNECTING ROD STOP SHAFT (GEARWHEEL)	2
10	33802	GEARBOX GASKET SET IP-PRO	1
11	33807	ROLLER BEARING SET IP-PRO	1
12	33731	CROSS HEAD SET IP-175	1
13	20344	Oil Seal 40 x 60 x 10	1
14	20350	Dust Cap	2

Revision	1	Information	20349	Wiper Seal 30 mm	4
Rev	16	Date	22-04-2023	Oil Seal 126 mm x 2,5 mm	4
M	13-07-2023	JG	JG	Internal Circlip DIN 472 OD 54.2	4
L	13-07-2023	JG	JG	Date:	29-09-2022
K	22-06-2023	JG	JG	Rev.:	M
J	07-06-2023	JG	JG	State:	Approved
PDM No. : 30901		Title: GEARBOX IP-PRO COMPLETE RHS			

All rights strictly reserved. Reproduction or issue to third parties in any form whatever is not permitted without written authority from the proprietor. Property of Impulse Holding B.V. Copyright Impulse Pumps E.V.

