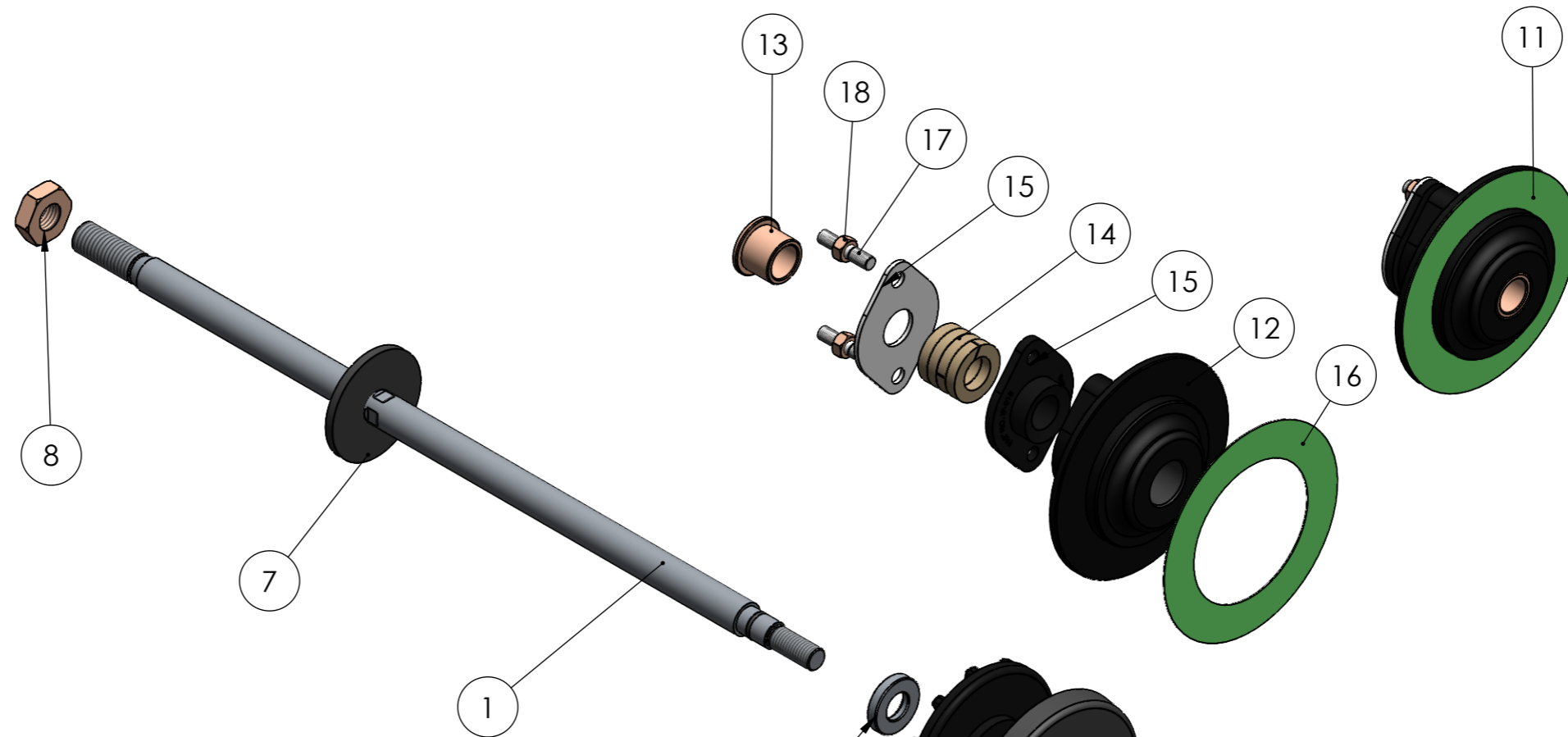
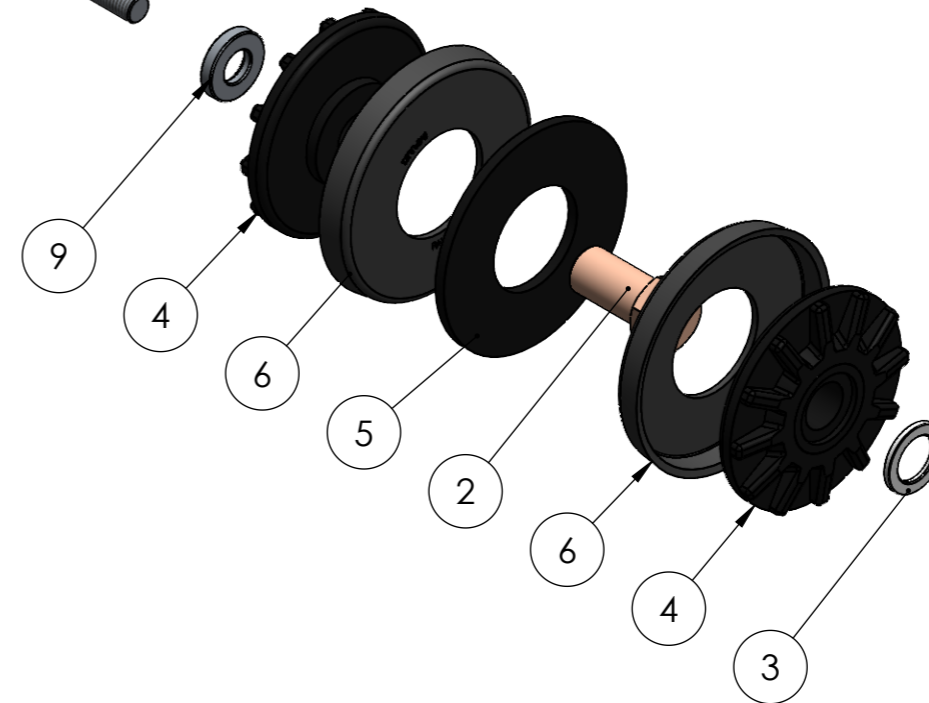


IP-PRO PISTON ROD SPAREPARTS



ITEM NO.	PART NUMBER	DESCRIPTION	QTY.
1	30983	Piston Rod M27 IP-PRO	1
2	30984	Piston Lock Nut IP-PRO	1
3	20330	Piston Body Plate	1
4	20332	Piston Body IP 175	2
5	20334	Piston Intermediate Disc IP 175	1
6	20333	Piston Collar Rubber Compound	2
7	20339	Drip Catcher Ring	1
8	20336	Cross Head Lock Nut	1
9	30985	Backside Piston Body Support Plate	1
10	30492	O-ring 19 mm x 3 mm	1
11	32638	GLAND PACKING HOUSE COMPLETE BA-U FIBRE GASKET	1
12	20275	Glan Packing House IP 175	1
13	20274	Piston Rod Guide Bush	1
14	33726	GLAND PACKING SET 1 kg IP-175 (L = 6m)	1
15	20276	GLAND PACKING FLANGE COMPLETE GFN	1
16	32637	Gasket Gland Packing House 1mm	1
17	31179	Stud Bolt M12 x 55-30-20	2
18	32533	Hex Nut M12 x 1.75	2



Revision information					UNSPECIFIED GEOMETRICAL, LINEAR AND ANGULAR TOLERANCE SHALL CONFORM TO ISO 2768-MK (UNLESS OTHERWISE STATED)	format	scale	projection	
Rev	Date	Drn	Appr	Info	A3	1:5			
E	13-07-2023	JG	JG	-	Drawn: AK	web: www.impulsebv.com			
D	03-03-2023	JG	JG	-	Date: 01-10-2022	Material:			
C	11-01-2023	JG	JG	-	Rev.: E	Weight: 20.58 Kg			
B	07-11-2022	JG	JG	-	State: Approved	Treatm.: Assemble			
PDM No. : 30982					Title: PISTON ROD IP-PRO COMPLETE				