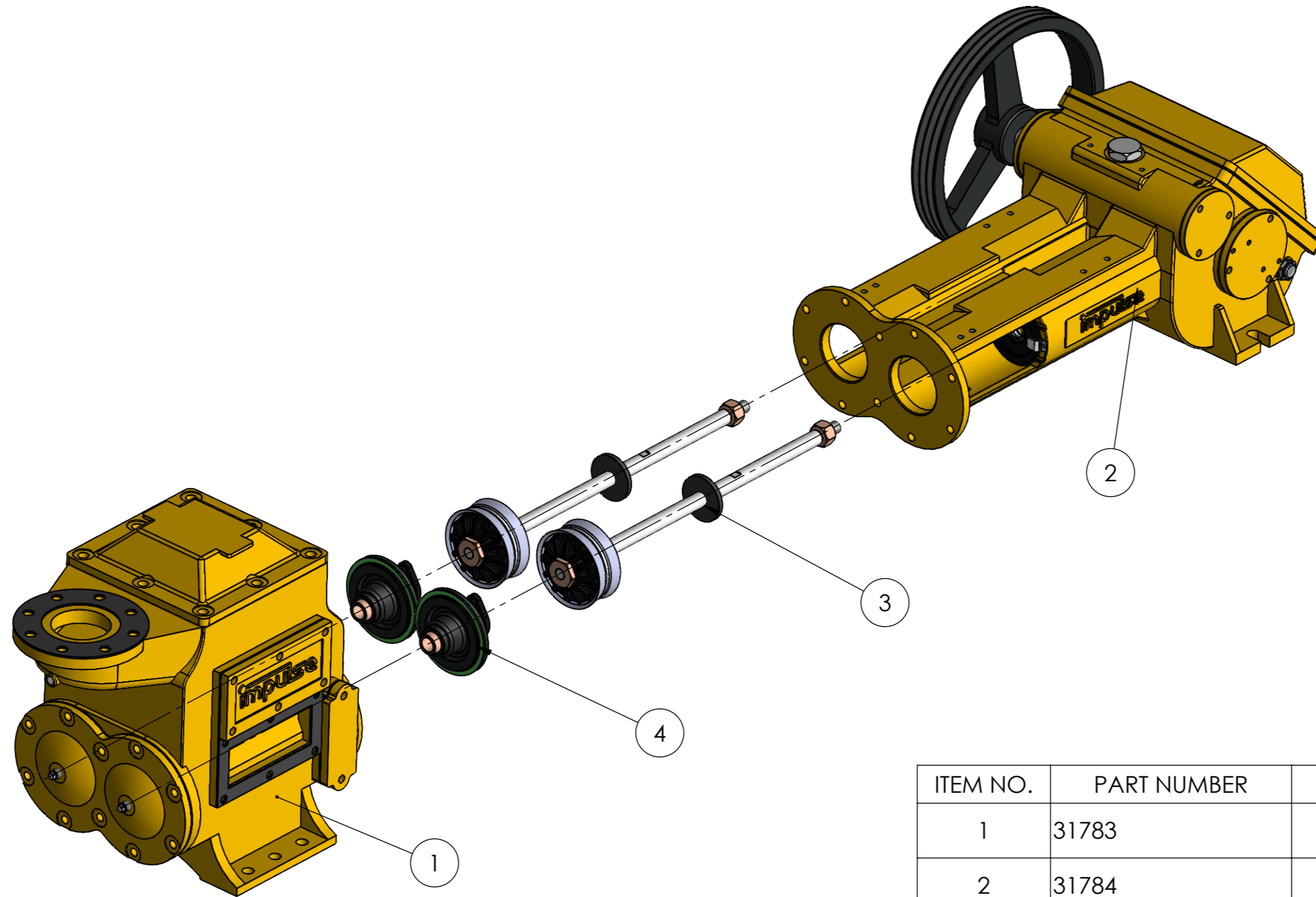


IP-130 MAIN COMPONENTS SPAREPARTS



ITEM NO.	PART NUMBER	DESCRIPTION	QTY.
1	31783	PUMP BODY IP-130 COMPLETE	1
2	31784	GEARBOX IP-130 COMPLETE	1
3	31852	PISTON ROD IP-130	2
4	31785	GLAND PACKING HOUSE COMPLETE IP-130	2

Revision information					UNSPECIFIED GEOMETRICAL, LINEAR AND ANGULAR TOLERANCE SHALL CONFORM TO ISO 2768-MK (UNLESS OTHERWISE STATED)	format	scale	projection	
Rev	Date	Drn	Appr	Info	A3	1:8			
C	13-07-2023	JG	JG	-	Drawn: JG			web: www.impulsebv.com	
B	13-07-2023	JG	JG	-	Date: 11-07-2023			Material:	
A	11-07-2023	JG	JG	-	Rev.: C			Weight: 343.39 Kg	
-	11-07-2023	JG	-	-	State: Approved			Treatm.: -	
PDM No. : 31615					Title: IP130 PUMP ASSY				