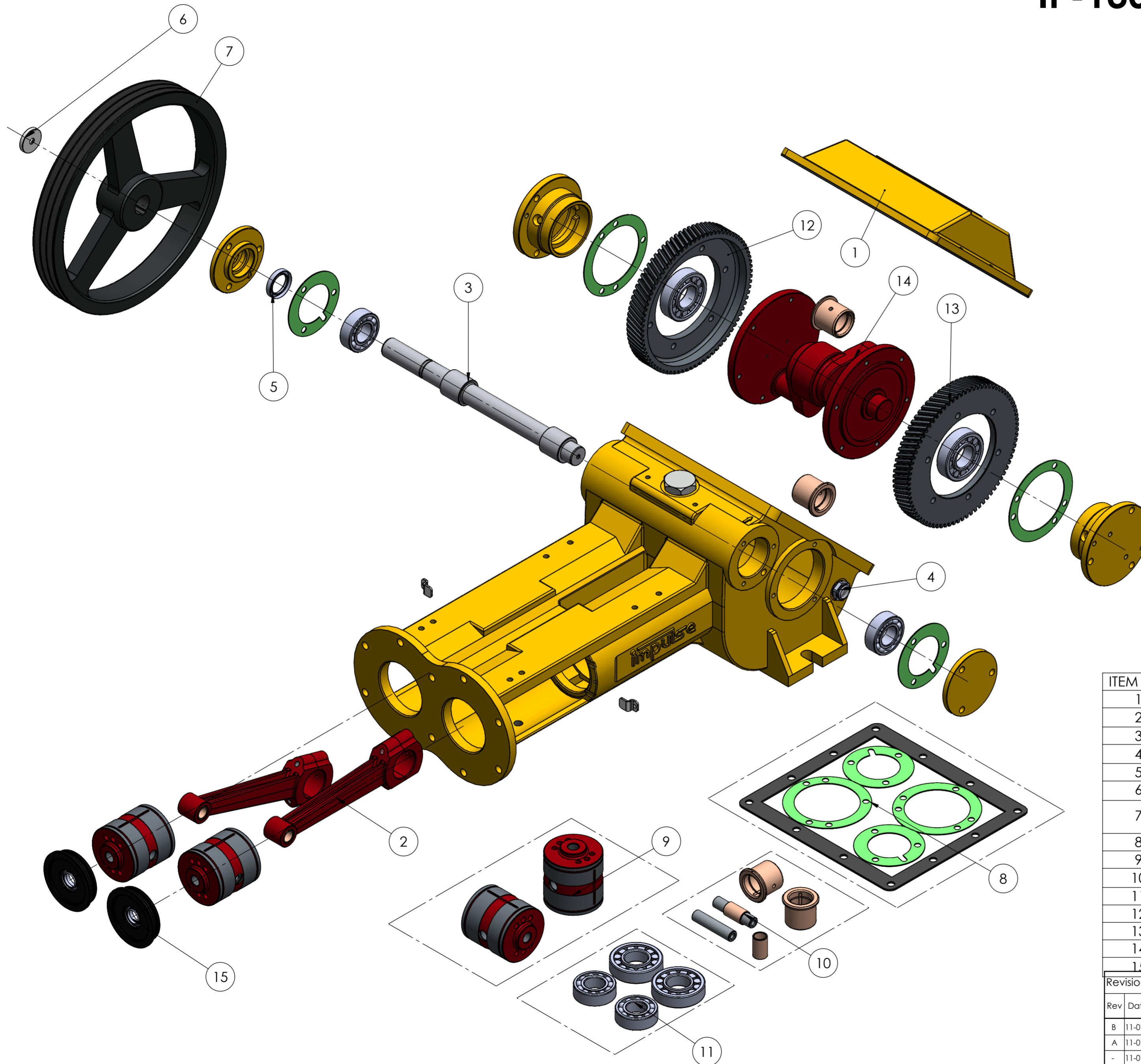


IP-130 GEARBOX SPAREPARTS



ITEM NO.	PART NUMBER	DESCRIPTION	QTY.
1	31843	Gearbox Cover IP-130	1
2	31849	CONNECTING ROD IP-130 COMPLETE	2
3	31872	Pinoin Shaft Standard IP-130	1
4	20316	Oil Level Indicator 3/4 inch BSP	1
5	31881	Oil Seal 52 x 35 x 10	1
6	31883	Pulley Protection Plate IP-130	1
7	31877	V-Belt Pulley SPA OD= 410 mm - ID= 35 mm	1
8	33794	GEARBOX GASKET SET IP-130	1
9	33795	CROSS HEAD SET IP-130	1
10	33796	CONNECTING ROD BEARING SET IP-130	1
11	33797	ROLLER BEARING SET IP-130	1
12	31870	Toothed Wheel B	1
13	31869	Toothed Wheel A	1
14	31868	Crank Shaft IP-130	1
15	31863	DUST CAP MOUNTED IP-130	2

Revision information					UNSPECIFIED GEOMETRICAL, LINEAR AND ANGULAR TOLERANCE SHALL CONFORM TO ISO 2768-MK (UNLESS OTHERWISE STATED)			format	scale	projection	
Rev	Date	Drn	Appr	Info	A2	1:5	⊕	⊖			
B	11-07-2023	JG	JG	-	Drawn:	JG	web:	www.impulsebv.com			
A	11-07-2023	JG	JG	-	Date:	11-07-2023	Material:				
-	11-07-2023	JG	-	-	Rev.:	B	Weight:	164.48 Kg			
							State:	Approved	Treatm.:	Assemble	
PDM No. : 31784					Title: GEARBOX IP-130 COMPLETE						

All rights strictly reserved. Reproduction or issue to third parties in any form
 whatever is not permitted without written authority from the proprietor.
 Property of Impulse Holding B.V. Copyright Impulse Pumps E.V.