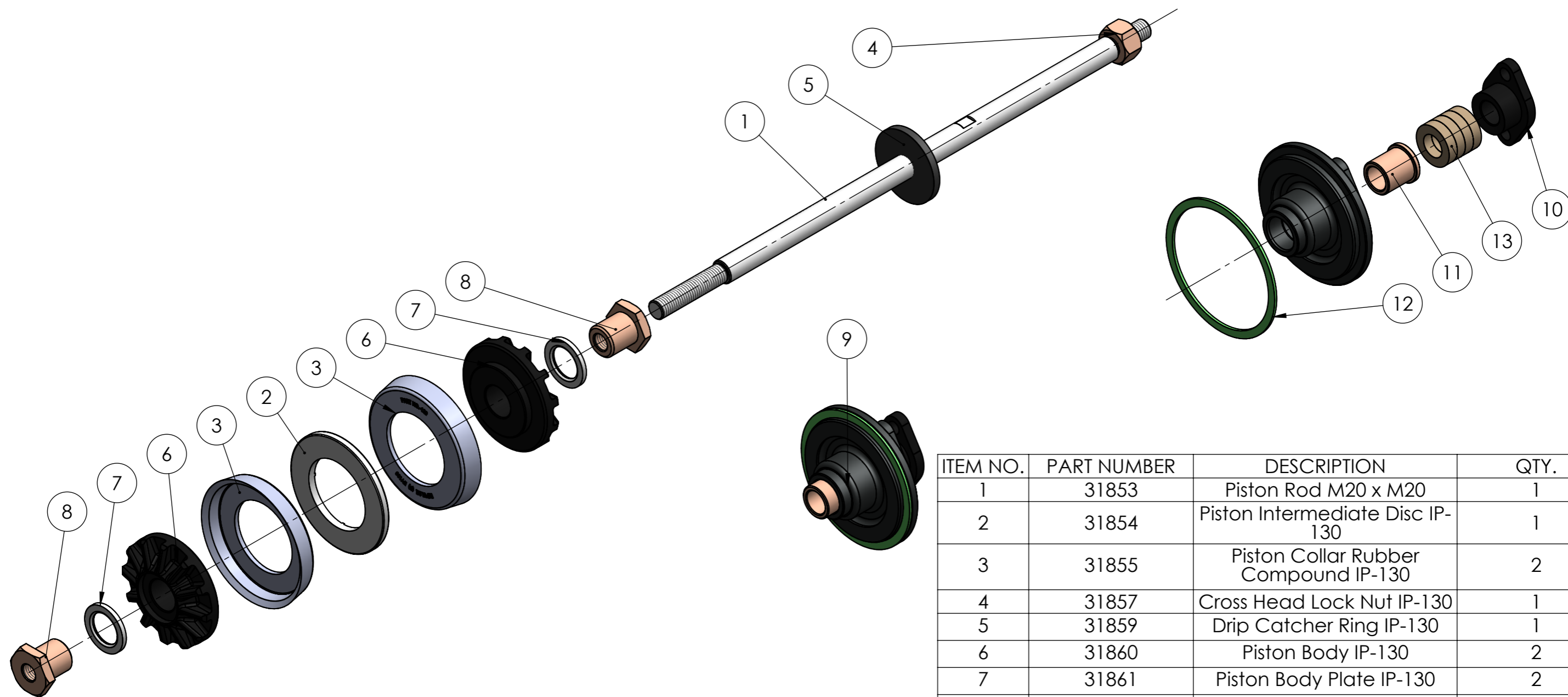


All rights strictly reserved. Reproduction or issue to third parties in any form whatever is not permitted without written authority from the proprietor. Property of Impulse Holding B.V. Copyright Impulse Pumps B.V.



ITEM NO.	PART NUMBER	DESCRIPTION	QTY.
1	31853	Piston Rod M20 x M20	1
2	31854	Piston Intermediate Disc IP-130	1
3	31855	Piston Collar Rubber Compound IP-130	2
4	31857	Cross Head Lock Nut IP-130	1
5	31859	Drip Catcher Ring IP-130	1
6	31860	Piston Body IP-130	2
7	31861	Piston Body Plate IP-130	2
8	31862	Piston Lock Nut M20	2
9	31885	Gland Packing House IP-130	2
10	31886	Gland Packing Flange IP-130	2
11	31887	Piston Rod Guide Bush IP-130	2
12	31888	Gasket 3 mm Gland Packing House	2
13	33799	GLAND PACKING SET 1 kg IP-130 (L=6m)	2

Revision information				UNSPECIFIED GEOMETRICAL, LINEAR AND ANGULAR TOLERANCE SHALL CONFORM TO ISO 2768-MK (UNLESS OTHERWISE STATED)		format	scale	projection	
Rev	Date	Drn	Appr	Info		A3	1:4		
-	11-07-2023	JG	-			Drawn: JG		web: <a href="http://www.impulsebv.com">www.impulsebv.com</a>	
						Date: 11-07-2023		Material:	
						Rev.: -		Weight: 9.61 Kg	
						State: <b>Approved</b>		Treatm.: Assemble	
<b>PDM No. : 31852</b>				<b>Title: PISTON ROD IP-130</b>					