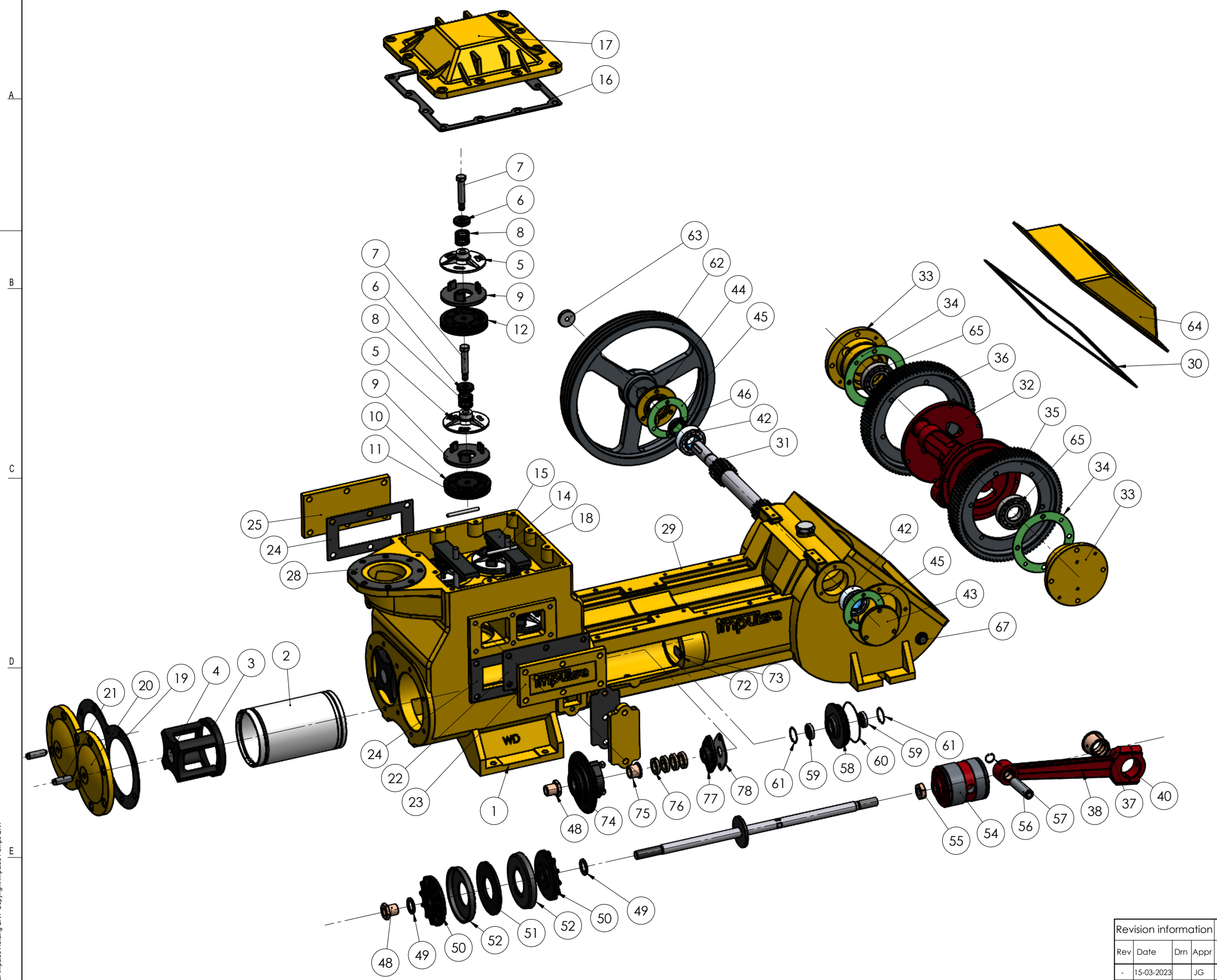


IP-175 PART LIST



BOM Table			
Pos.	PDM No.	DESCRIPTION	QTY.
1	20282	Pump Body IP 175 (Primer Coated)	1
2	20300	Cylinder Liner IP-175	2
3	20313	Distance Piece IP-175	2
4	20314	Distance Piece Pressure Knob	2
5	20295	Valve Weight IP-175/160	8
6	20294	Valve Spring Washer 40 mm	8
7	20291	Valve Stem Guide Screw O-Ring	8
8	22452	Valve Spring SS 2 mm L=100 mm Standard	8
9	20292	Valve Rubber IP-175/160	8
10	20290	Suction Valve Seat	4
11	22457	O-ring 137 mm x 3 mm	4
12	20304	Discharge Valve Seat	4
13	22458	O-ring 140 mm x 3 mm	4
14	22459	Stud M16 x 160 mm (20/40)	2
15	20297	Valve Locking Strip	2
16	20302	Gasket IP Pump Body Cover	1
17	20310	Pump Cover IP	1
18	20311	Lifting Handle Rod	2
19	20299	Gasket Cylinder Cover IP	1
20	20286	Cylinder Cover IP	1
21	20306	Stud M20 x 2.5 mm (Liner Lock)	2
22	20296	Gasket Inspection Cover (Logo)	2
23	20285	Inspection Cover Valves with Logo	2
24	20288	Gasket Stone Box Square Window	2
25	20287	Inspection Cover Suction Valves	1
26	20284	Gasket Inspection Cover Backside Cilinder	2
27	20298	Inspection Cover Backside Cilinder	2
28	20283	Gasket Discharge IP 175/160	1
29	20326	Gearbox Casing IP 175	1
30	20347	Gasket Gearbox Cover	1
31	20318	Pinoin Shaft Standard	1
32	20320	Crank Shaft IP 175	1
33	20321	Bearing Cover (CrankShaft)	2
34	20351	Gasket Bearing Cover (CrankShaft)	2
35	20342	Toothed Wheel A	1
36	20359	Toothed Wheel B	1
37	20346	Bearing Bush (Connecting Rod)	2
38	20354	Connection Rod IP	2
39	20353	Crosshead Bearing Bush	2
40	20355	Connection Rod Bearing Cap	2
41	20356	Bearing Locker Pin Connection Rod	2
42	20358	Bearing Fag 2308 - TVH	2
43	20319	Bearing Cover Closed (Pinion Shaft)	1
44	20324	Bearing Cover Open (Pinion Shaft)	1
45	20327	Gasket Pinion Shaft Cover	2
46	20344	Oil Seal 40 x 60 x 10	1
47	20335	Piston Rod M27 x M27	2
48	20331	Piston Lock Nut M27 x 3	4
49	20330	Piston Body Plate	4
50	20332	Piston Body IP 175	4
51	20334	Piston Intermediate Disc IP 175	2
52	20333	Piston Collar Rubber Compound	4
53	20339	Drip Catcher Ring	2
54	20337	Cross Head IP	2
55	20336	Cross Head Lock Nut	2
56	20338	Cross Head Pin	2
57	22461	Internal Circlip DIN 472 OD-32.1	4
58	20350	Dust Cap	2
59	20349	Wiper Seal 30 mm	4
60	22462	O-ring 126 mm x 2.5 mm	2
61	22463	Internal Circlip DIN 472 OD-54.2	4
62	20322	V-Belt Pulley SPB OD 505 mm - ID 40 mm	1
63	20328	Pulley Protection Plate	1
64	32513	Gear Box Cover IP-175	1
65	32514	BEARING FAG NJ310-E-XL-TVP2	2
66	20341	Oil Filling Plug with Breader and CU Ring 1 inch BSP	1
67	20316	Oil Level Indicator 3/4 inch BSP	1
68	22472	Nipple 1/2 inch Male / Male	2
69	20378	Elbow 1/2 inch Female / Female	1
70	20377	Ball Valve - Butterfly 1/2 inch BSP	1
71	22485	Nipple 1/2 inch NPT - 1/2 inch BSP	1
72	20340	Dust Gap Locking Strip	2
73	22464	Support Nut	2
74	20275	Glan Packing House IP 175	2
75	20274	Piston Rod Guide Bush	2
76	20273	Glad Packing Ring 10 mm	8
77	20278	Gland Packing Flange	2
78	20277	Gland Packing Plate	2
79	20279	Gasket Gland Packing House	2
80	31179	Stud Bolt M12 x 55-30-20	4
81	32533	Hex Nut M12 x 1.75	4

Revision information		UNSPECIFIED GEOMETRICAL, LINEAR AND ANGULAR TOLERANCE SHALL CONFORM TO ISO 2768-MK (UNLESS OTHERWISE STATED)		format	scale	projection	
Rev	Date	Drn	Appr	Info	A2	1:9	
-	15-03-2023	JG	-		Drawn:	JG	web: www.impulsebv.com
					Date:	21-10-2022	Material:
					Rev.:	-	Weight: 842.43 Kg
					State:	Approved	Treatm.: Assemble
PDM No. : 32595		Title: IP 175 PUMP COMPLETE - EXPLODED					

All rights strictly reserved. Reproduction or issue to third parties in any form
 whatever is not permitted without written authority from the proprietor.
 Property of Impulse Holding B.V. Copyright Impulse Pumps B.V.