

A

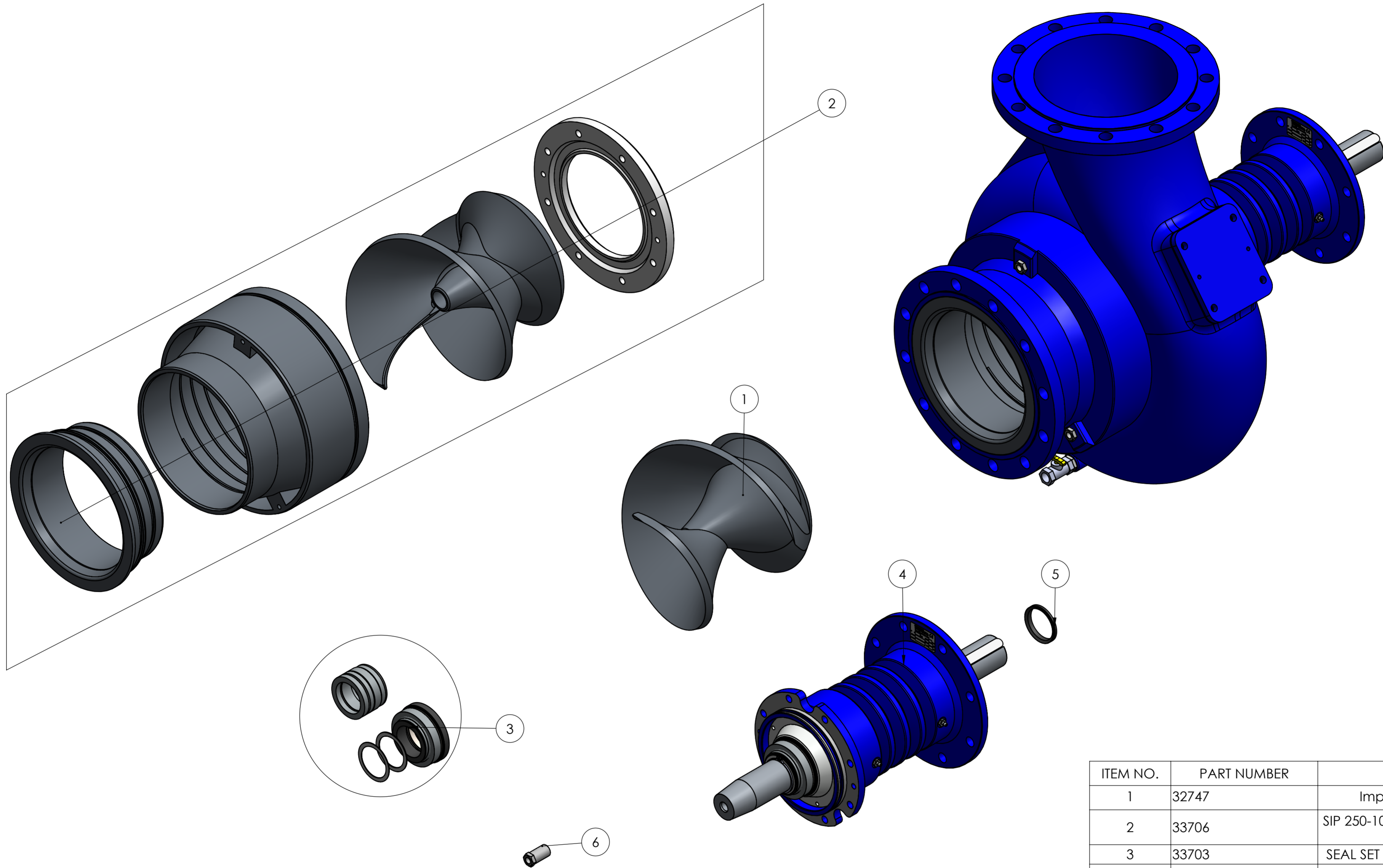
B

C

D

F

F



ITEM NO.	PART NUMBER	DESCRIPTION	QTY.
1	32747	Impeller SIP-250 10 Inch	1
2	33706	SIP 250-10 INTERNAL REPLACEMENT SET	1
3	33703	SEAL SET SIP 200-300 SHAFT 60 mm	1
4	32756	BEARING HOUSE REPLACEMENT SIP 200-300 (+BACKSEAL)	1
5	30812	V-ring NBR V-60 A	1
6	32775	Front Adjustment Screw	1

Revision information				UNSPECIFIED GEOMETRICAL, LINEAR AND ANGULAR TOLERANCE SHALL CONFORM TO ISO 2768-MK (UNLESS OTHERWISE STATED)		format	scale	projection	 Dewatering Technologies
Rev	Date	Drn	Appr	Info		A2	1:5		
-	13-06-2023		JG	-		Drawn:	JG	web:	www.impulsebv.com
						Date:	13-06-2023	Material:	
						Rev.:	-	Weight:	Material <not specified> Kg
						State:	Approved	Treatm.:	Assemble
PDM No. : 32755		Title: SIP-250 PUMP COMPLETE							

A

B

C

D

F

F

All rights strictly reserved. Reproduction or issue to third parties in any form
 whatever is not permitted without written authority from the proprietor.
 Property of Impulse Holding B.V. Copyright Impulse Pumps B.V.