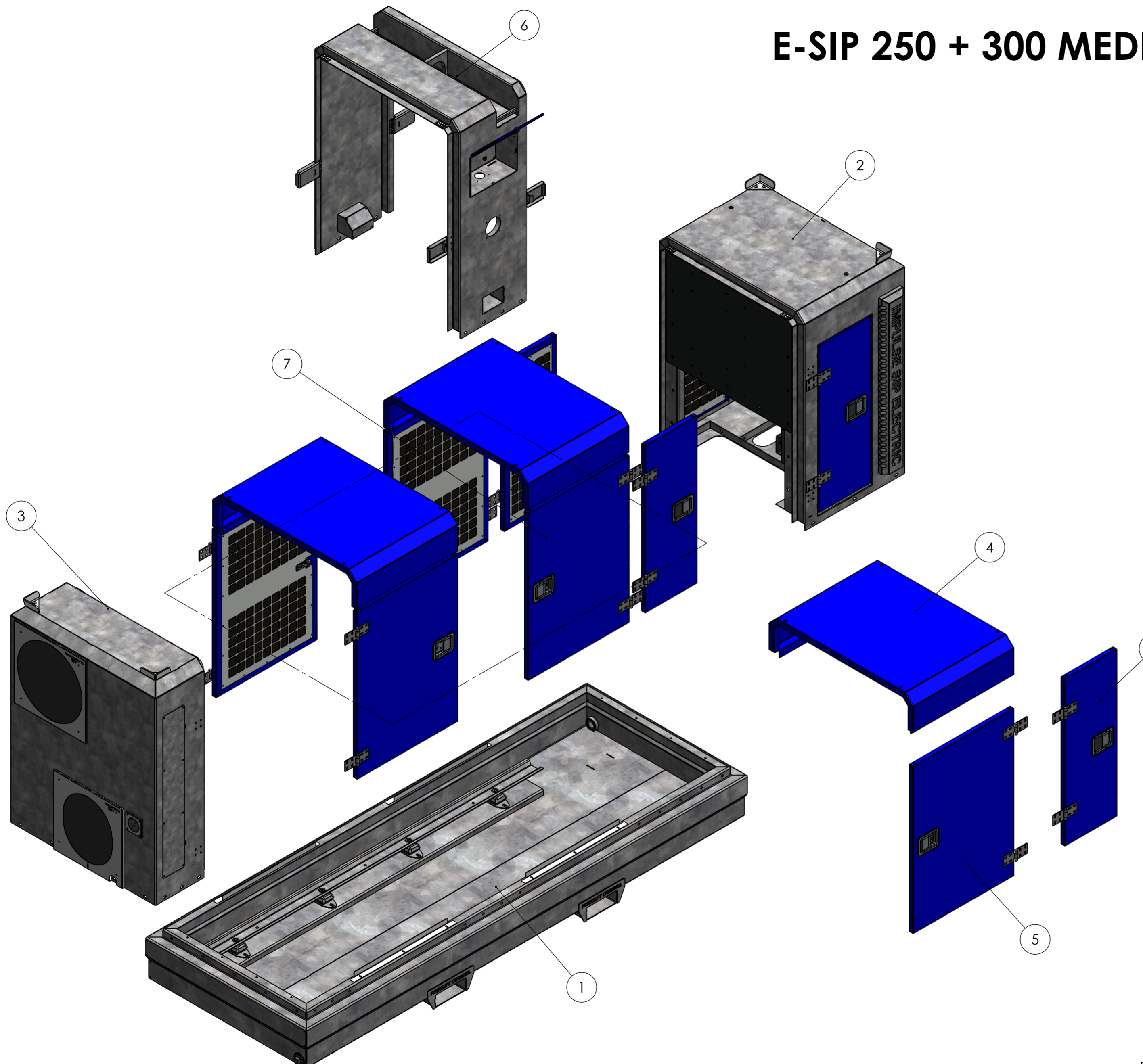


E-SIP 250 + 300 MEDIUM CANOPY SPAREPARTS



ITEM NO.	PART NUMBER	DESCRIPTION	QTY.
1	33544	UNDERBASE E-SIP MEDIUM	1
2	33456	PANEL C MEDIUM E-SIP	1
3	33497	PANEL D MEDIUM E-SIP	1
4	30338	WELD ASSY TOP PANEL SIP-200	1
5	20380	DOOR WITH LOCKER 1010 mm x 705 mm COMPLETE	1
6	33556	MIDDLE PANEL E-SIP MEDIUM	1
7	33832	PANEL SET MEDIUM CANOPY ELECTRIC	1
8	33461	FREQUENCY CONTROLLER DOOR WITH LOCKER	1

Revision information				UNSPECIFIED GEOMETRICAL LINEAR AND ANGULAR TOLERANCE SHALL CONFORM TO ISO 2768-MK (UNLESS OTHERWISE STATED)			format	scale	projection	
Rev	Date	Drn	Appr	Info	A2	1:15	⊕	⊖		
-	24-07-2023	JG	-		Drawn:	JG	web: www.impulsebv.com			
					Date:	24-07-2023	Material:			
					Rev.:	-	Weight: Material <not specified> Kg			
					State:	Approved	Treatm.: Assemble			
PDM No. : 33449				Title: E-SIP 250 + 300 MEDIUM CANOPY						

All rights strictly reserved. Reproduction or issue to third parties in any form
 whatever is not permitted without written authority from the proprietor.
 Property of Impulse Holding B.V. Copyright Impulse Pumps E.V.