

A

B

C

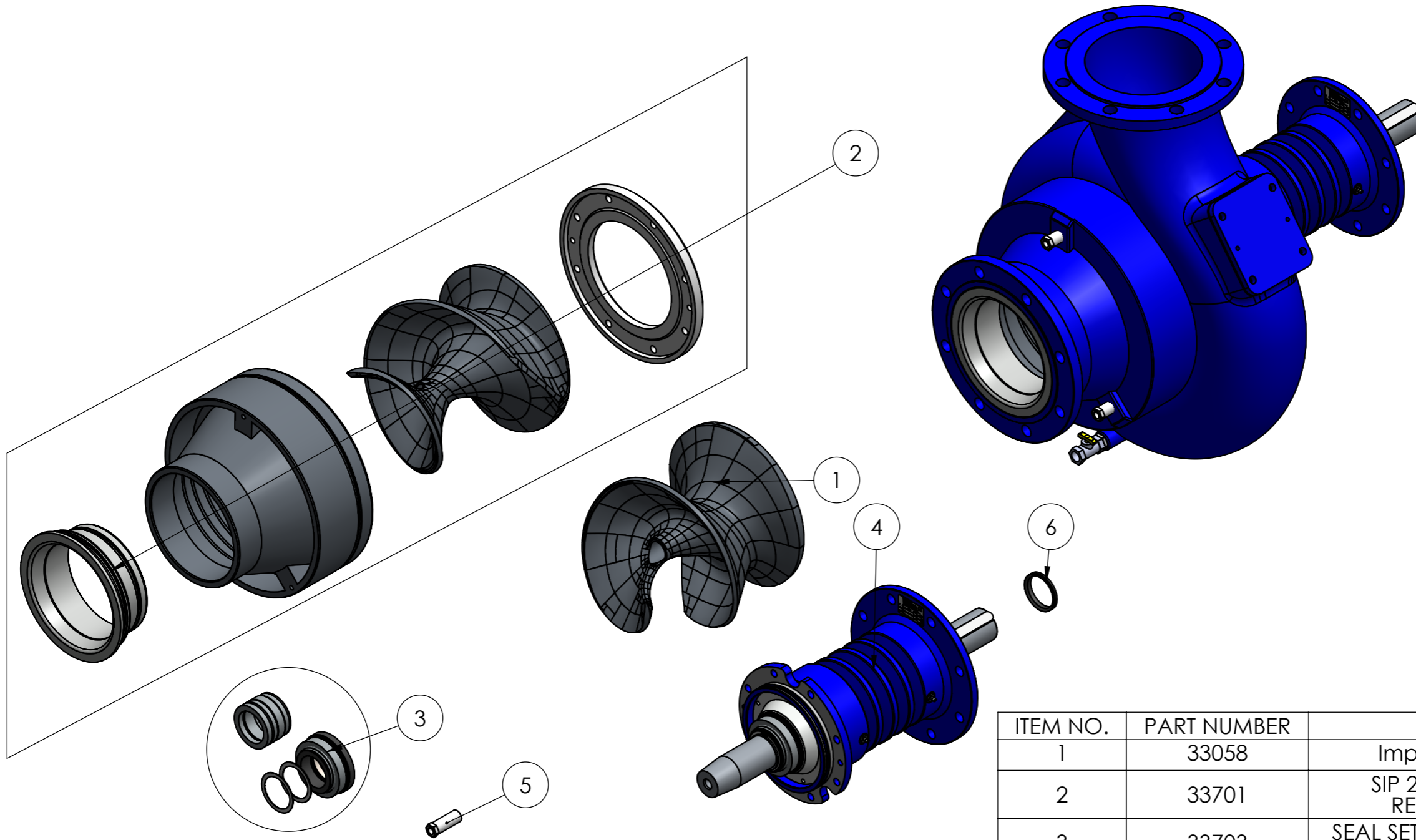
D

A


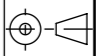
B

C

D



ITEM NO.	PART NUMBER	DESCRIPTION	QTY.
1	33058	Impeller SIP 200-8 HP	1
2	33701	SIP 200-8 HP INTERNAL REPLACEMENT SET	1
3	33703	SEAL SET SIP 200-300 SHAFT 60 mm	1
4	32756	BEARING HOUSE REPLACEMENT SIP 200-300 (+BACKSEAL)	1
5	30818	Adjustment Screw Pump House SIP-200	1
6	30812	V-ring NBR V-60 A	1

Revision information				UNSPECIFIED GEOMETRICAL, LINEAR AND ANGULAR TOLERANCE SHALL CONFORM TO ISO 2768-MK (UNLESS OTHERWISE STATED)		format	scale	projection	 Dewatering Technologies
Rev	Date	Drn	Appr	Info		A3	1:8		
-	13-06-2023	JG	-			Drawn: JG		web: www.impulsebv.com	
						Date: 13-06-2023		Material:	
						Rev.: -		Weight: Material <not specified> Kg	
						State: Approved		Treatm.: Assemble	
PDM No. : 33603				Title: SIP 200-8 HP PUMP					

All rights strictly reserved. Reproduction or issue to third parties in any form whatever is not permitted without written authority from the proprietor. Property of Impulse Holding B.V. Copyright Impulse Pumps B.V.