

A

B

C

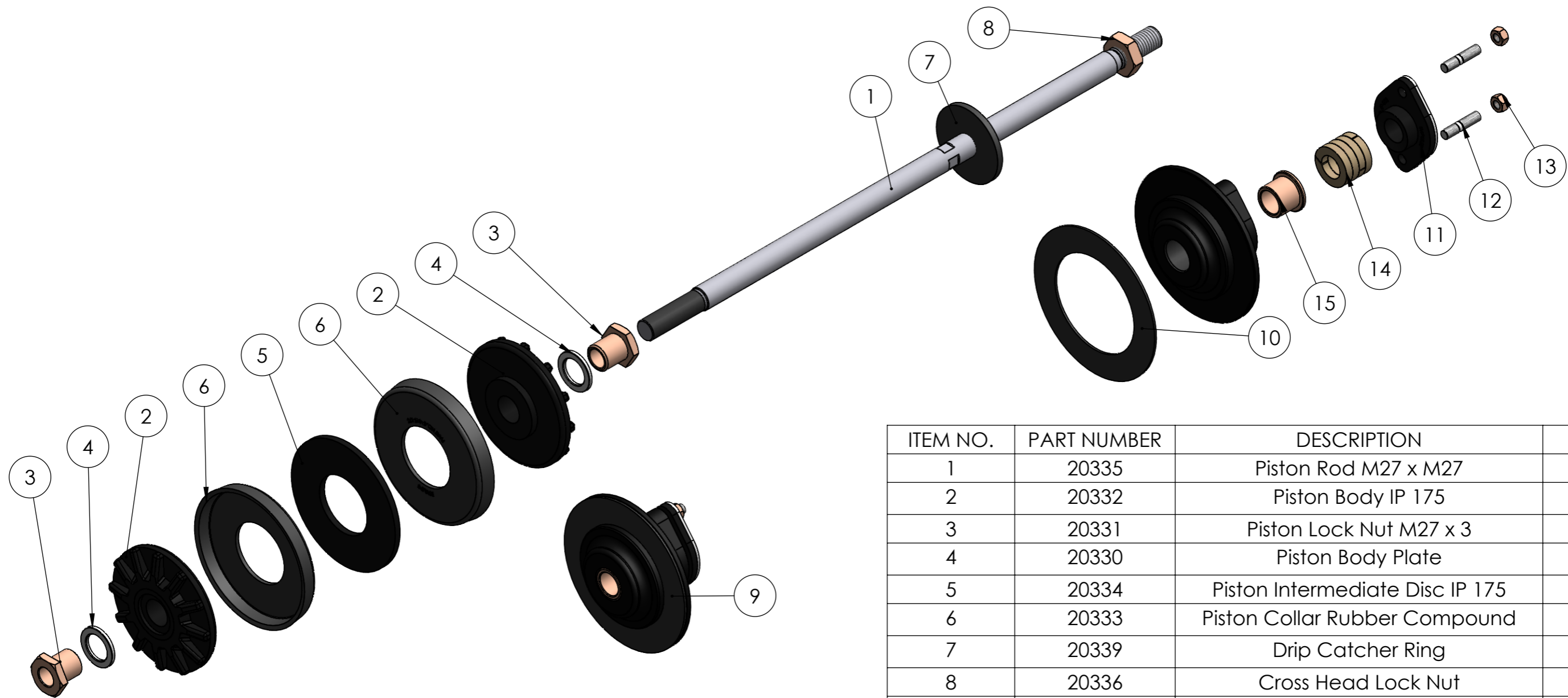
D

A


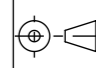
B

C

D



ITEM NO.	PART NUMBER	DESCRIPTION	QTY.
1	20335	Piston Rod M27 x M27	1
2	20332	Piston Body IP 175	2
3	20331	Piston Lock Nut M27 x 3	2
4	20330	Piston Body Plate	2
5	20334	Piston Intermediate Disc IP 175	1
6	20333	Piston Collar Rubber Compound	2
7	20339	Drip Catcher Ring	1
8	20336	Cross Head Lock Nut	1
9	20272	GLAND PACKING HOUSE COMPLETE	1
10	20279	Gasket Gland Packing House	1
11	20276	GLAND PACKING FLANGE COMPLETE GFN	1
12	31179	Stud Bolt M12 x 55-30-20	2
13	32533	Hex Nut M12 x 1.75	2
14	33726	GLAND PACKING SET 1 kg IP-175 (L = 6m)	1
15	20274	Piston Rod Guide Bush	1

Revision information				UNSPECIFIED GEOMETRICAL, LINEAR AND ANGULAR TOLERANCE SHALL CONFORM TO ISO 2768-MK (UNLESS OTHERWISE STATED)		format	scale	projection	 Dewatering Technologies
Rev	Date	Drn	Appr	Info		A3	1:5		
-	20-06-2023	JG	-			Drawn: JG		web: www.impulsebv.com	
						Date: 20-06-2023		Material:	
						Rev.: -		Weight: Material <not specified> Kg	
						State: Approved		Treatm.: Assemble	

**PDM No. : 33725**      **Title: PISTON ROD IP-175 WITH COLLARS**

All rights strictly reserved. Reproduction or issue to third parties in any form  
 whatever is not permitted without written authority from the proprietor.  
 Property of Impulse Holding B.V. Copyright Impulse Pumps B.V.