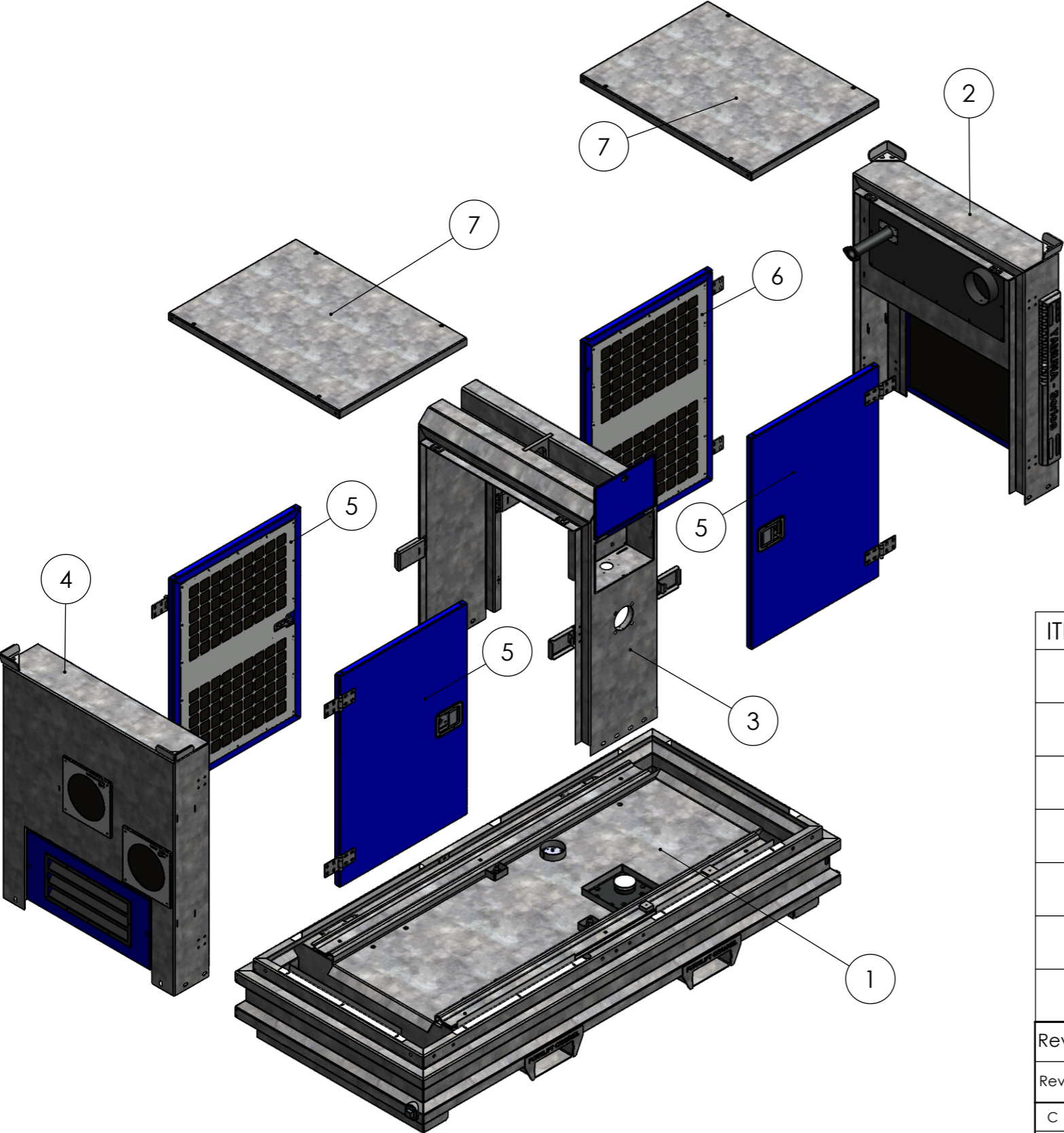


# STANDARD CANOPY IP-175 YAMUNA DIESEL SPAREPARTS

REQUEST PARTS ONLINE



| ITEM NO. | PART NUMBER | DESCRIPTION                                   | QTY. |
|----------|-------------|-----------------------------------------------|------|
| 1        | 20494       | UNDER BASE STANDARD CANOPY                    | 1    |
| 2        | 20448       | PANEL C STANDARD CANOPY YAMUNA                | 1    |
| 3        | 30841       | MIDDLE PANEL STANDARD CANOPY VERSION II       | 1    |
| 4        | 20427       | PANEL D STANDARD CANOPY YAMUNA                | 1    |
| 5        | 20380       | DOOR WITH LOCKER 1010 mm x 705 mm COMPLETE    | 3    |
| 6        | 20423       | DOOR WITHOUT LOCKER 1010 mm x 705 mm COMPLETE | 1    |
| 7        | 20393       | TOP PANEL CANOPY 945 mm x 705 mm              | 2    |

|                      |            |     |      |      |                                                                                                              |            |           |                   |  |
|----------------------|------------|-----|------|------|--------------------------------------------------------------------------------------------------------------|------------|-----------|-------------------|--|
| Revision information |            |     |      |      | UNSPECIFIED GEOMETRICAL, LINEAR AND ANGULAR TOLERANCE SHALL CONFORM TO ISO 2768-MK (UNLESS OTHERWISE STATED) | format     | scale     | projection        |  |
| Rev                  | Date       | Drn | Appr | Info | A3                                                                                                           | 1:100      |           |                   |  |
| C                    | 27-02-2025 | IL  | IL   | -    | Drawn:                                                                                                       | IL         | web:      | www.impulsebv.com |  |
| B                    | 27-02-2025 | IL  | IL   | -    | Date:                                                                                                        | 12-02-2025 | Material: |                   |  |
| A                    | 27-02-2025 | IL  | IL   | -    | Rev.:                                                                                                        | C          | Weight:   | 646.29 Kg         |  |
| -                    | 14-02-2025 |     | JE   | -    | State:                                                                                                       | Approved   | Treatm.:  | Assemble          |  |

**PDM No. : 35270**      **Title: STANDARD CANOPY IP-175 YAMUNA DIESEL - EXPLODED VIEW**

All rights strictly reserved. Reproduction or issue to third parties in any form whatever is not permitted without written authority from the proprietor. Property of Impulse Holding B.V. Copyright Impulse Pumps B.V.