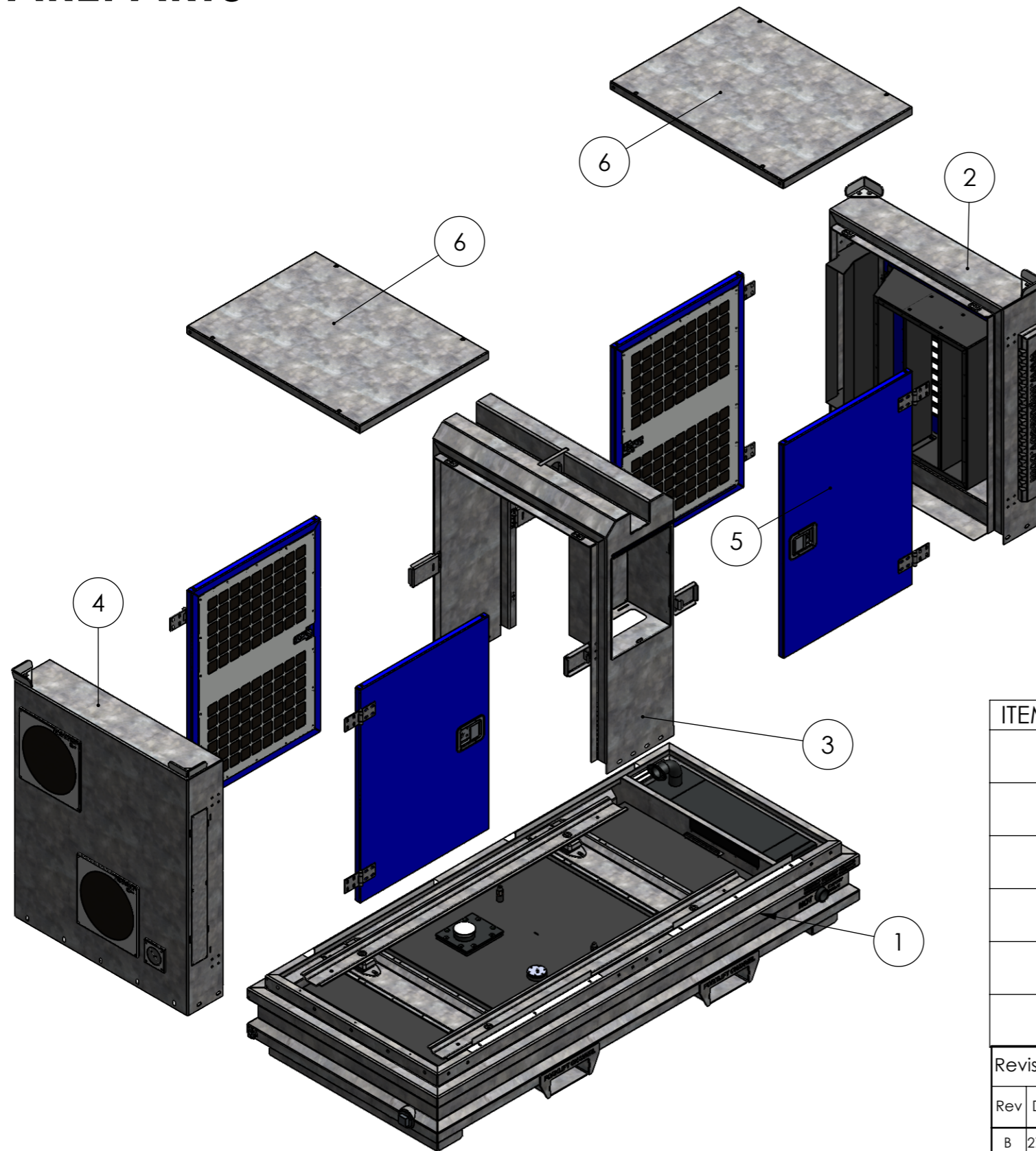


CANOPY STANDARD SIP100-150 CONTROL BOX SPAREPARTS

REQUEST PARTS ONLINE



ITEM NO.	PART NUMBER	DESCRIPTION	QTY.
1	22504	UNDER BASE SIP100-150 COMPLETE	1
2	22543	PANEL C STANDARD SIP100-150	1
3	30039	MIDDLE PANEL STANDARD CANOPY SIP100-150	1
4	22577	PANEL D STANDARD SIP100-150	1
5	20380	DOOR WITH LOCKER 1010 mm x 705 mm COMPLETE	4
6	20393	TOP PANEL CANOPY 945 mm x 705 mm	2

Revision information					UNSPECIFIED GEOMETRICAL, LINEAR AND ANGULAR TOLERANCE SHALL CONFORM TO ISO 2768-MK (UNLESS OTHERWISE STATED)	format	scale	projection	
Rev	Date	Drn	Appr	Info	A3	1:100			
B	27-02-2025	IL	IL	-	Drawn:	IL	web:	www.impulsebv.com	
A	27-02-2025	IL	IL	-	Date:	13-02-2025	Material:		
-	22-02-2025		JE	-	Rev.:	B	Weight:	594.11 Kg	
					State:	Approved	Treatm.:	Assemble	
PDM No. : 35277					Title: CANOPY STANDARD SIP100-150 CONTROL BOX - EXPLODED VIEW				

All rights strictly reserved. Reproduction or issue to third parties in any form whatever is not permitted without written authority from the proprietor. Property of Impulse Holding B.V. Copyright Impulse Pumps B.V.