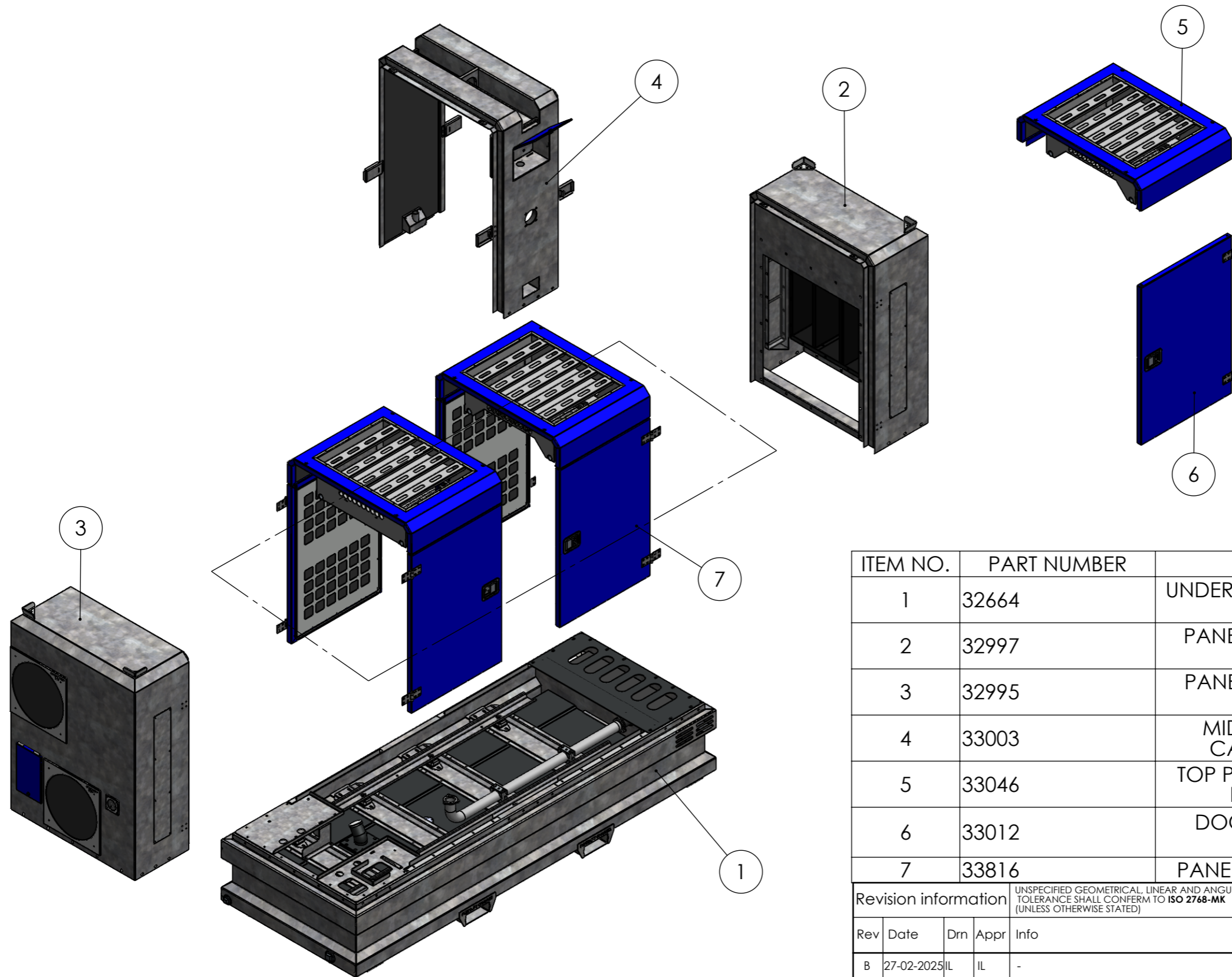


LARGE CANOPY SIP 200-HP DIESEL SPAREPARTS

REQUEST PARTS ONLINE



ITEM NO.	PART NUMBER	DESCRIPTION	QTY.
1	32664	UNDER BASE LARGE CANOPY COMPLETE	1
2	32997	PANEL C LARGE CANOPY COMPLETE	1
3	32995	PANEL D LARGE CANOPY COMPLETE	1
4	33003	MIDDLE PANEL LARGE CANOPY COMPLETE	1
5	33046	TOP PANEL AIR VENTILATED LARGE CANOPY	1
6	33012	DOOR LARGE CANOPY COMPLETE	4
7	33816	PANEL SET LARGE CANOPY	1

Revision information					UNSPECIFIED GEOMETRICAL, LINEAR AND ANGULAR TOLERANCE SHALL CONFORM TO ISO 2768-MK (UNLESS OTHERWISE STATED)	format	scale	projection	
Rev	Date	Drn	Appr	Info	A3	1:100			
B	27-02-2025	IL	IL	-	Drawn:	IL	web:	www.impulsebv.com	
A	27-02-2025	IL	IL	-	Date:	17-02-2025	Material:		
-	22-02-2025		JE	-	Rev.:	B	Weight:	Kg	
					State:	Approved	Treatm.:	Assemble	

PDM No. : 35285 Title: LARGE CANOPY SIP 200-HP DIESEL - EXPLODED VIEW