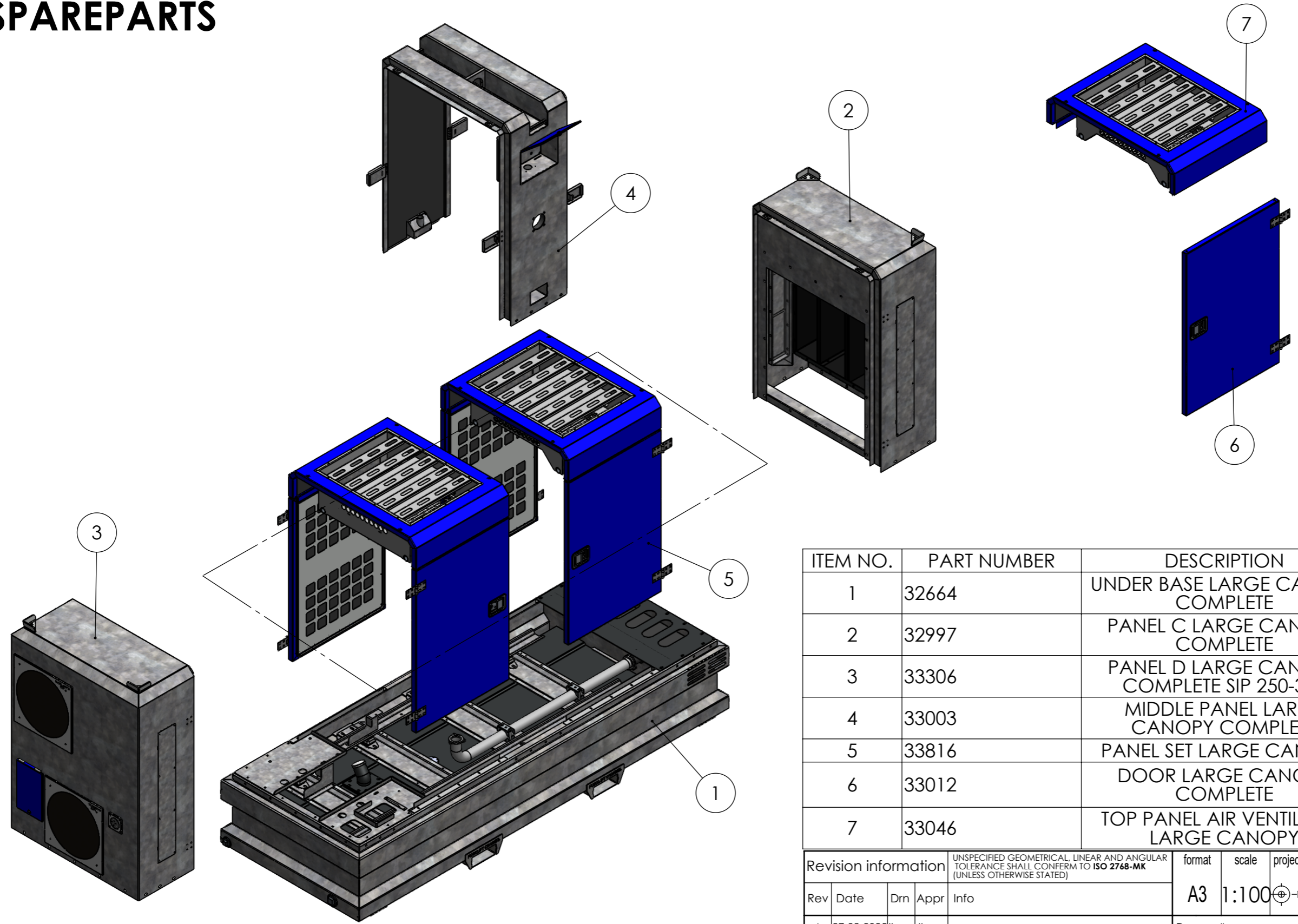


# LARGE CANOPY SIP 250-300 COMPLETE SPAREPARTS

REQUEST PARTS ONLINE



ITEM NO.	PART NUMBER	DESCRIPTION	QTY.
1	32664	UNDER BASE LARGE CANOPY COMPLETE	1
2	32997	PANEL C LARGE CANOPY COMPLETE	1
3	33306	PANEL D LARGE CANOPY COMPLETE SIP 250-300	1
4	33003	MIDDLE PANEL LARGE CANOPY COMPLETE	1
5	33816	PANEL SET LARGE CANOPY	1
6	33012	DOOR LARGE CANOPY COMPLETE	4
7	33046	TOP PANEL AIR VENTILATED LARGE CANOPY	1

Revision information					UNSPECIFIED GEOMETRICAL, LINEAR AND ANGULAR TOLERANCE SHALL CONFORM TO ISO 2768-MK (UNLESS OTHERWISE STATED)			format	scale	projection	
Rev	Date	Drn	Appr	Info	A3	1:100					
A	27-02-2025	IL	IL	-	Drawn: IL			web: <a href="http://www.impulsebv.com">www.impulsebv.com</a>			
-	22-02-2025		JE	-	Date: 17-02-2025			Material:			
					Rev.: A			Weight: Kg			
					State: Approved			Treatm.: Assemble			

PDM No. : 35286 Title: LARGE CANOPY SIP 250-300 COMPLETE - EXPLODED VIEW

All rights strictly reserved. Reproduction or issue to third parties in any form whatever is not permitted without written authority from the proprietor. Property of Impulse Holding B.V. Copyright Impulse Pumps B.V.