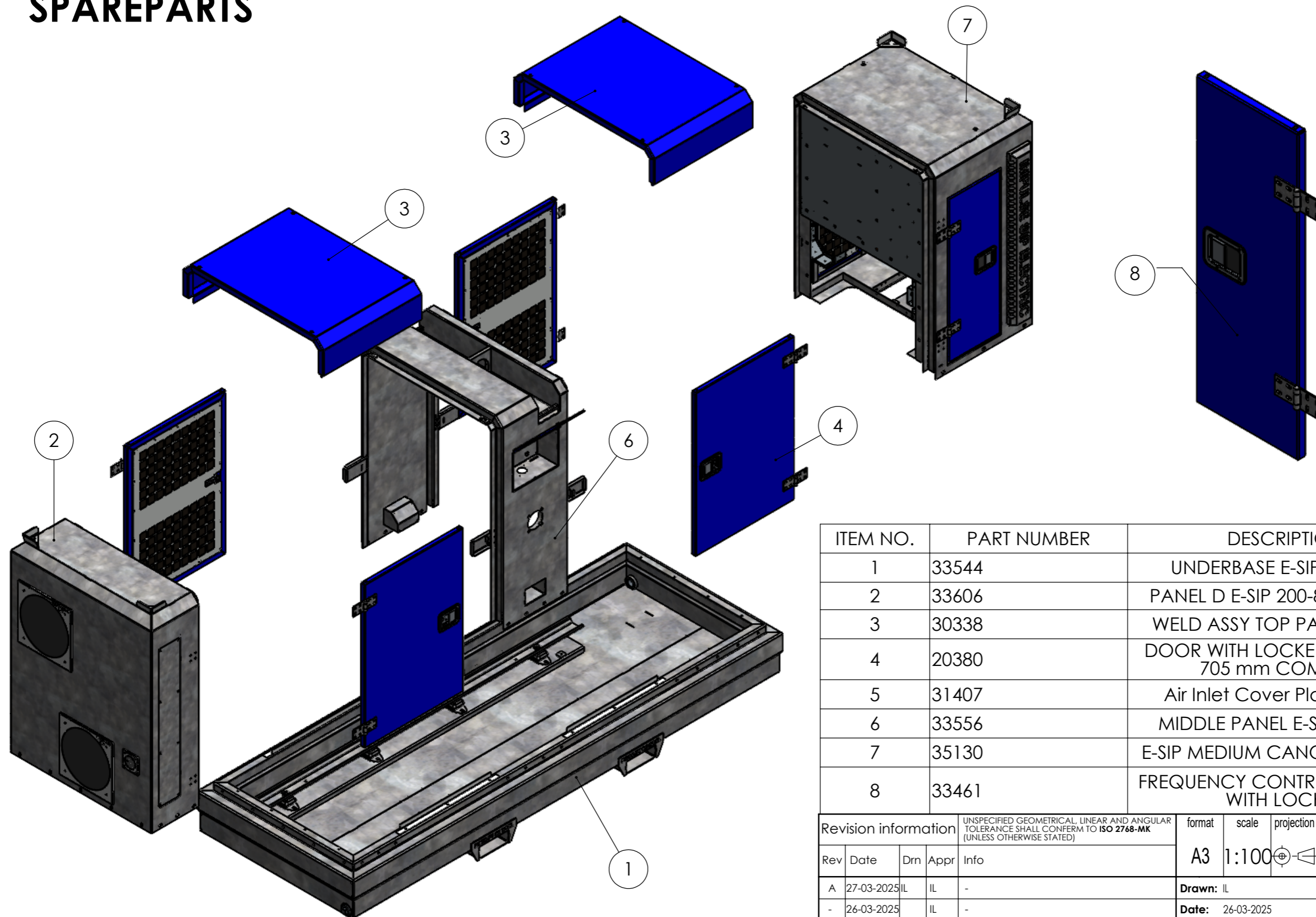


E-SIP 200-8 + 200-8 HP MEDIUM CANOPY SPAREPARTS

REQUEST PARTS ONLINE



ITEM NO.	PART NUMBER	DESCRIPTION	QTY.
1	33544	UNDERBASE E-SIP MEDIUM	1
2	33606	PANEL D E-SIP 200-8 + 200-8 HP	1
3	30338	WELD ASSY TOP PANEL SIP-200	2
4	20380	DOOR WITH LOCKER 1010 mm x 705 mm COMPLETE	4
5	31407	Air Inlet Cover Plate SIP-200	2
6	33556	MIDDLE PANEL E-SIP MEDIUM	1
7	35130	E-SIP MEDIUM CANOPY PANEL C	1
8	33461	FREQUENCY CONTROLLER DOOR WITH LOCKER	2

Revision information					UNSPECIFIED GEOMETRICAL, LINEAR AND ANGULAR TOLERANCE SHALL CONFORM TO ISO 2768-MK (UNLESS OTHERWISE STATED)			format	scale	projection	
Rev	Date	Drn	Appr	Info	A3	1:100					
A	27-03-2025	IL	IL	-	Drawn: IL			web: www.impulsebv.com			
-	26-03-2025	IL	-	-	Date: 26-03-2025			Material:			
					Rev.: A			Weight: Material <not specified> Kg			
					State: Approved			Treatm.: Assemble			
PDM No. : 35375					Title: E-SIP 200-8 + 200-8 HP MEDIUM CANOPY - EXPLODED VIEW						

All rights strictly reserved. Reproduction or issue to third parties in any form whatever is not permitted without written authority from the proprietor. Property of Impulse Holding B.V. Copyright Impulse Pumps B.V.