



Impulse Pumps BV

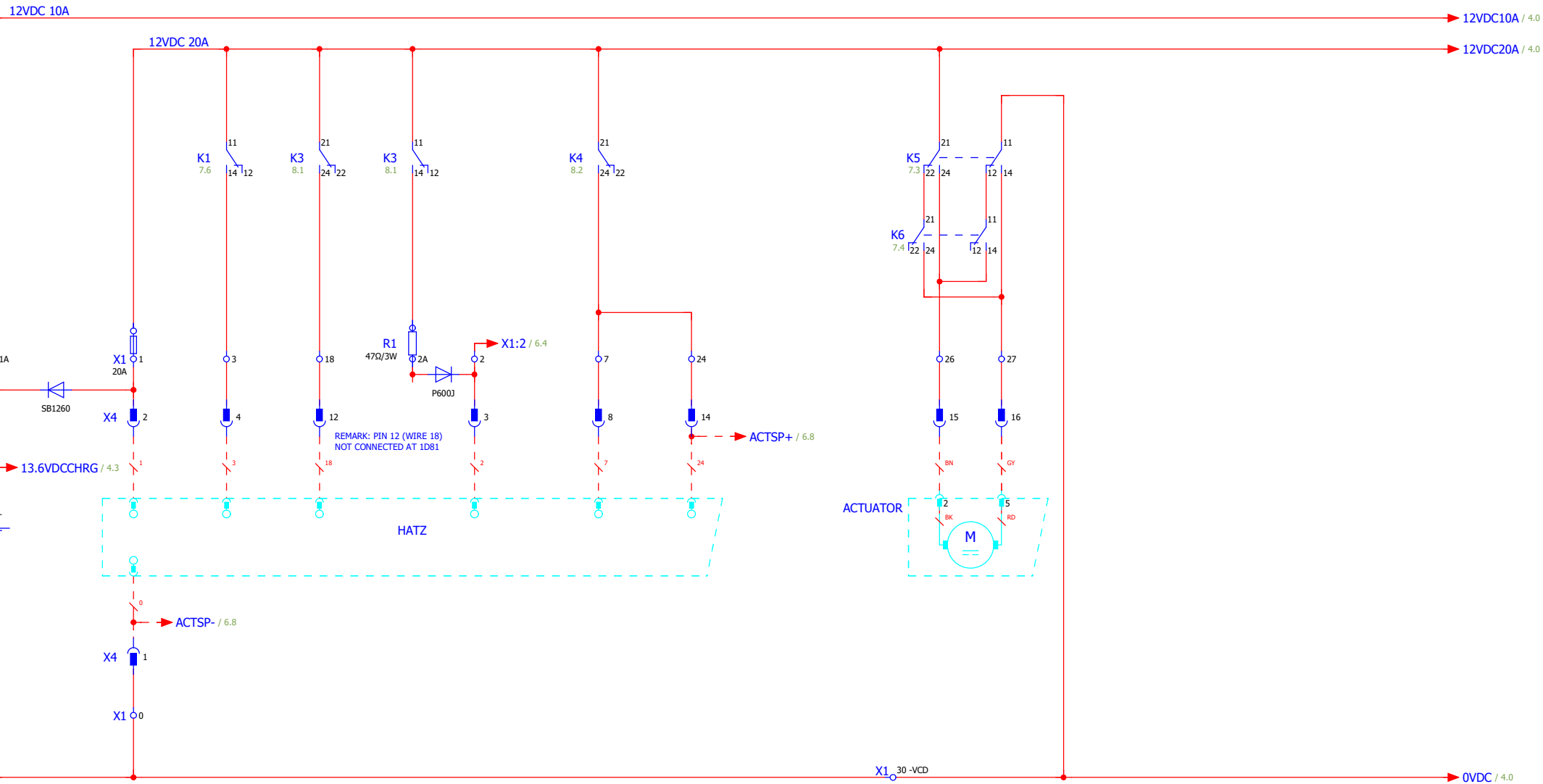
Arendsenweg 9
7021 PC Zelhem

Commission	Impulse Pumps BV
Project description	Diesel pump control box for YAMUNA pumps ecomizer pro
Type number	09.66

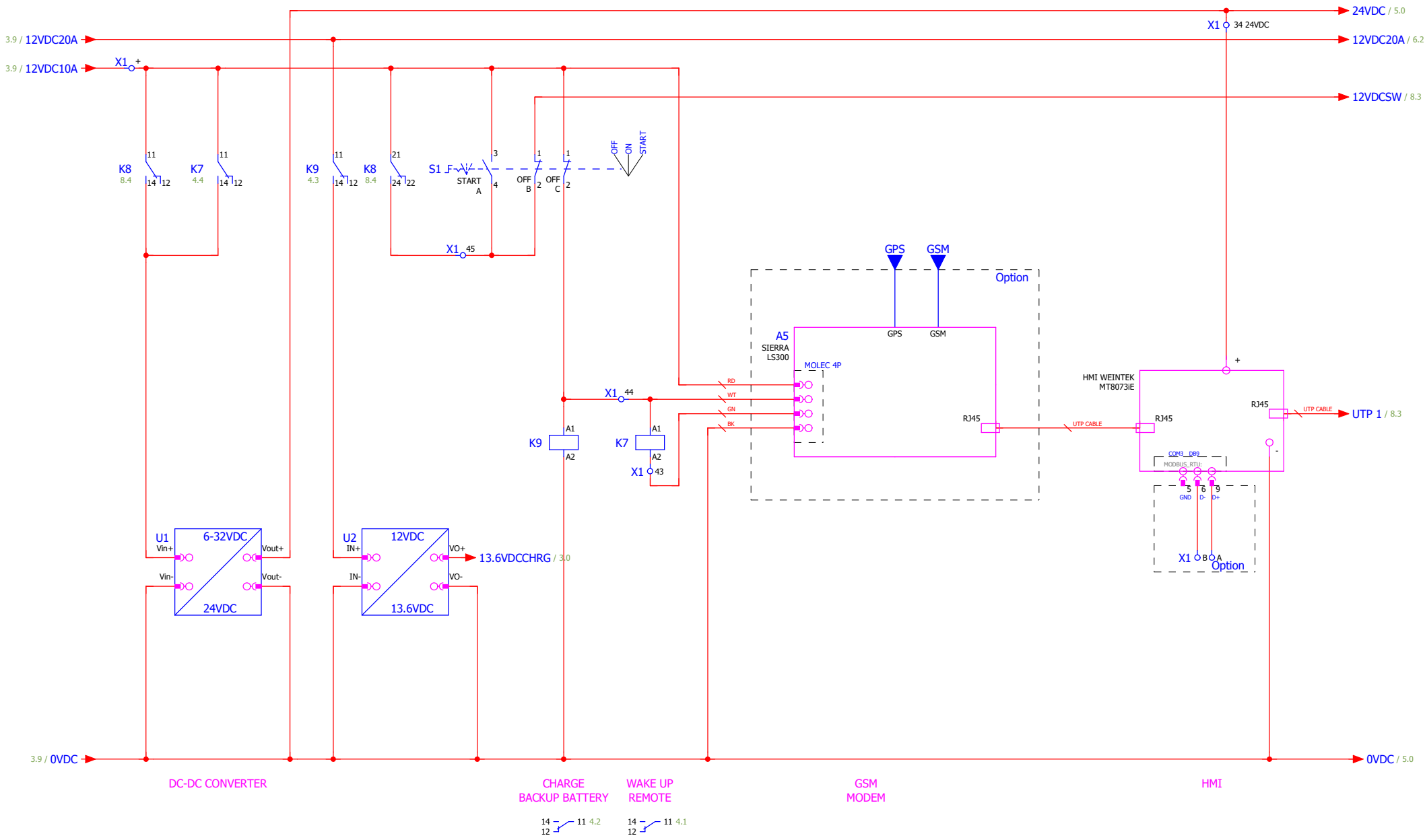
Manufacturer (company)	Impulse Pumps BV
------------------------	------------------

Created on	9-11-2015		
Edit date	5-10-2020	by (short name) joris	Number of pages 7

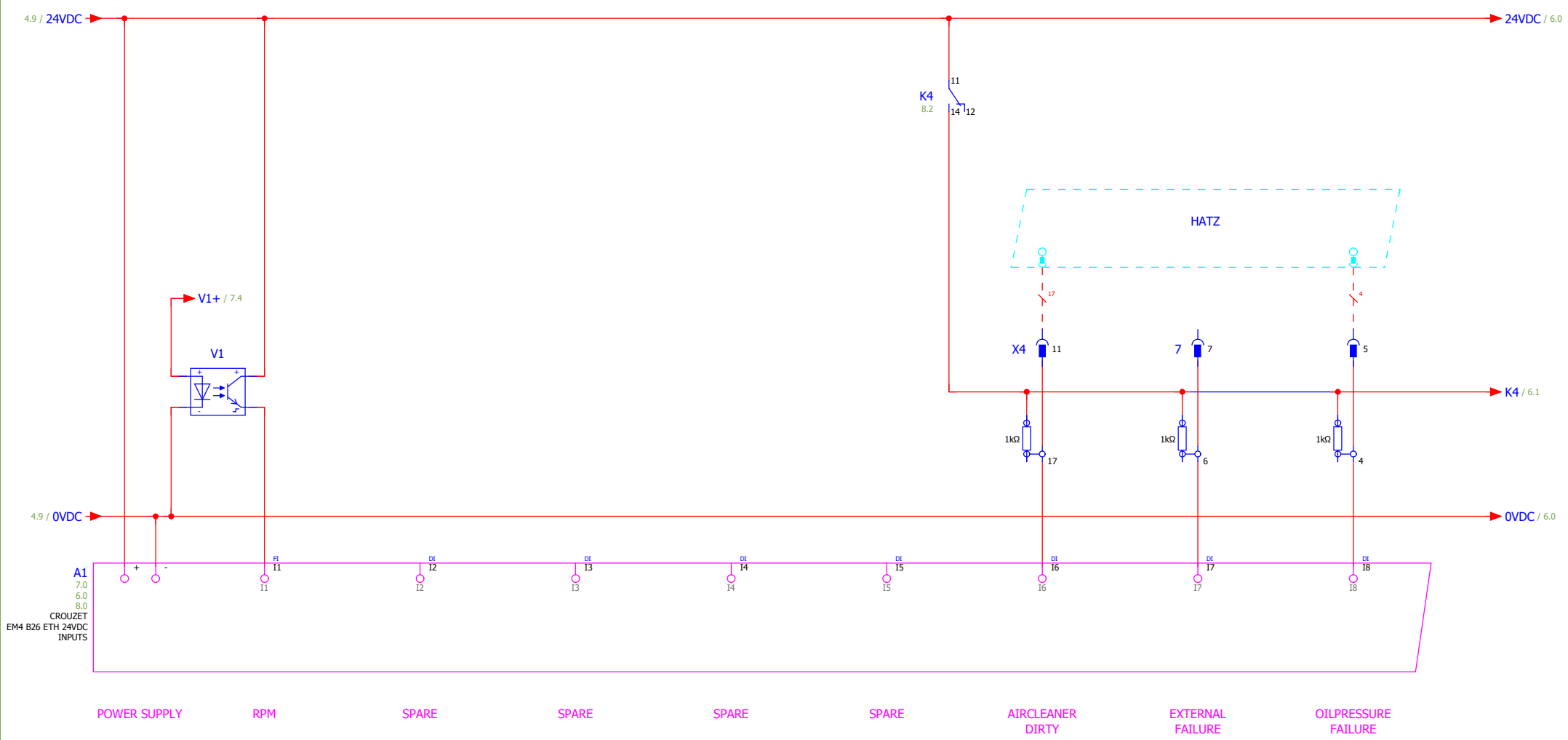
			Date	24-10-2018	Impulse Pumps BV		Title page / cover sheet	Diesel pump control box for YAMUNA pumps ecomizer pro Typenumber: 09.66	Page	1
			Ed.	paul	Arendsenweg 9 7021 PC Zelhem				Total pages	3
Modification	Date	Name	Appr							
			Original		Replacement of	Replaced by				



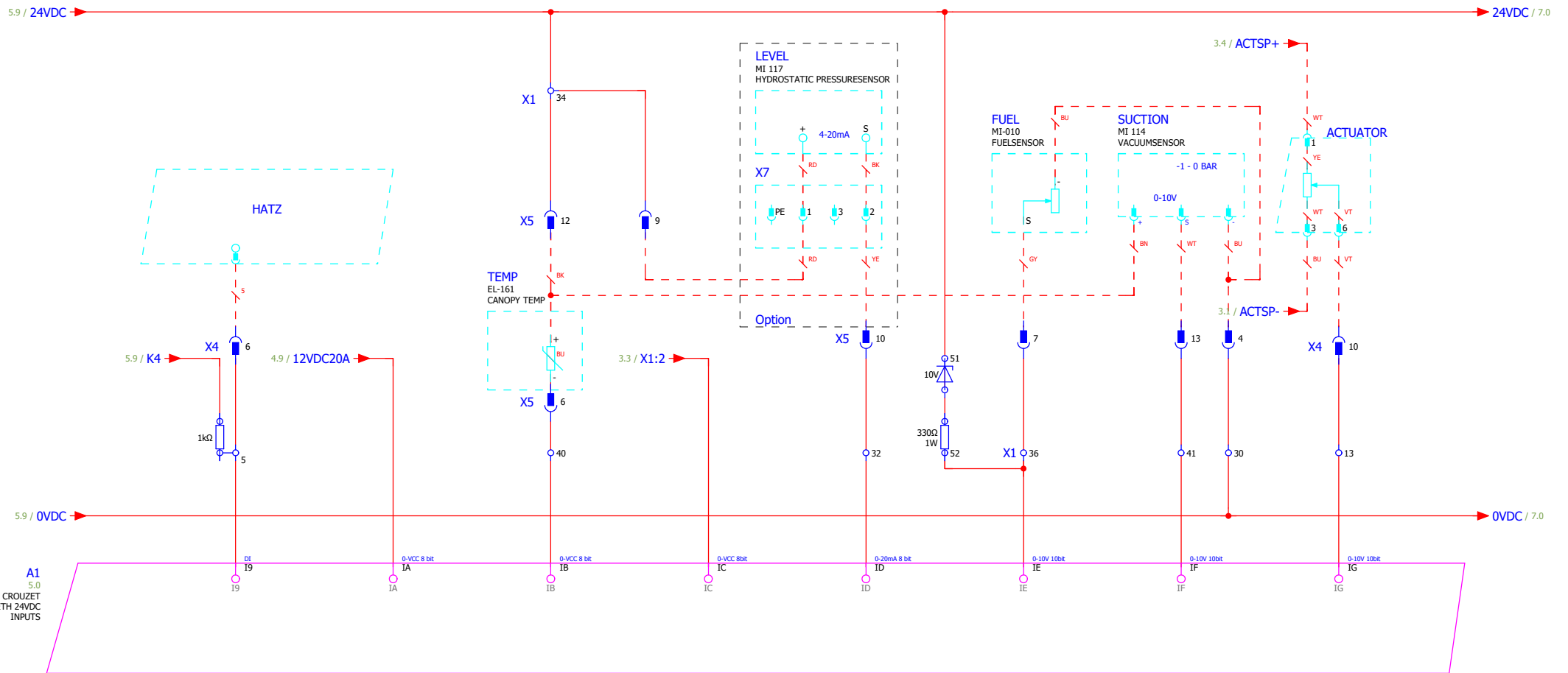
POWER SUPPLY BACKUP BATTERY POWER SUPPLY MOTOR BATTERY STARTMOTOR STOP PULLCOIL DYNAMO PRE-VOLTAGE STOP HOLDCOIL POWER SUPPLY REGULATOR ACTUATOR IN/OUT 0VDC / 4.0



			Date	22-10-2019	Impulse Pumps BV		CONTROL	Diesel pump control box for YAMUNA pumps ecomizer pro
			Ed.	paul	Arendsenweg 9		Typenumber: 09.66	
			Appr.		7021 PC Zelhem			
Modification	Date	Name	Original		Replacement of	Replaced by		



			Date	22-10-2019	Impulse Pumps BV Arendsenweg 9 7021 PC Zelhem		PLC INPUT 1-8	Diesel pump control box for YAMUNA pumps ecomizer pro Typenumber: 09.66
		Ed.	paul					
		Appr						
Modification	Date	Name	Original	Replacement of	Replaced by			



ENGINE TEMP FAILURE

BATTERY VOLTAGE

CANOPY TEMP

DYNAMO VOLTAGE

LEVEL SENSOR OPTION

FUEL LEVEL

VACUUMSENSOR

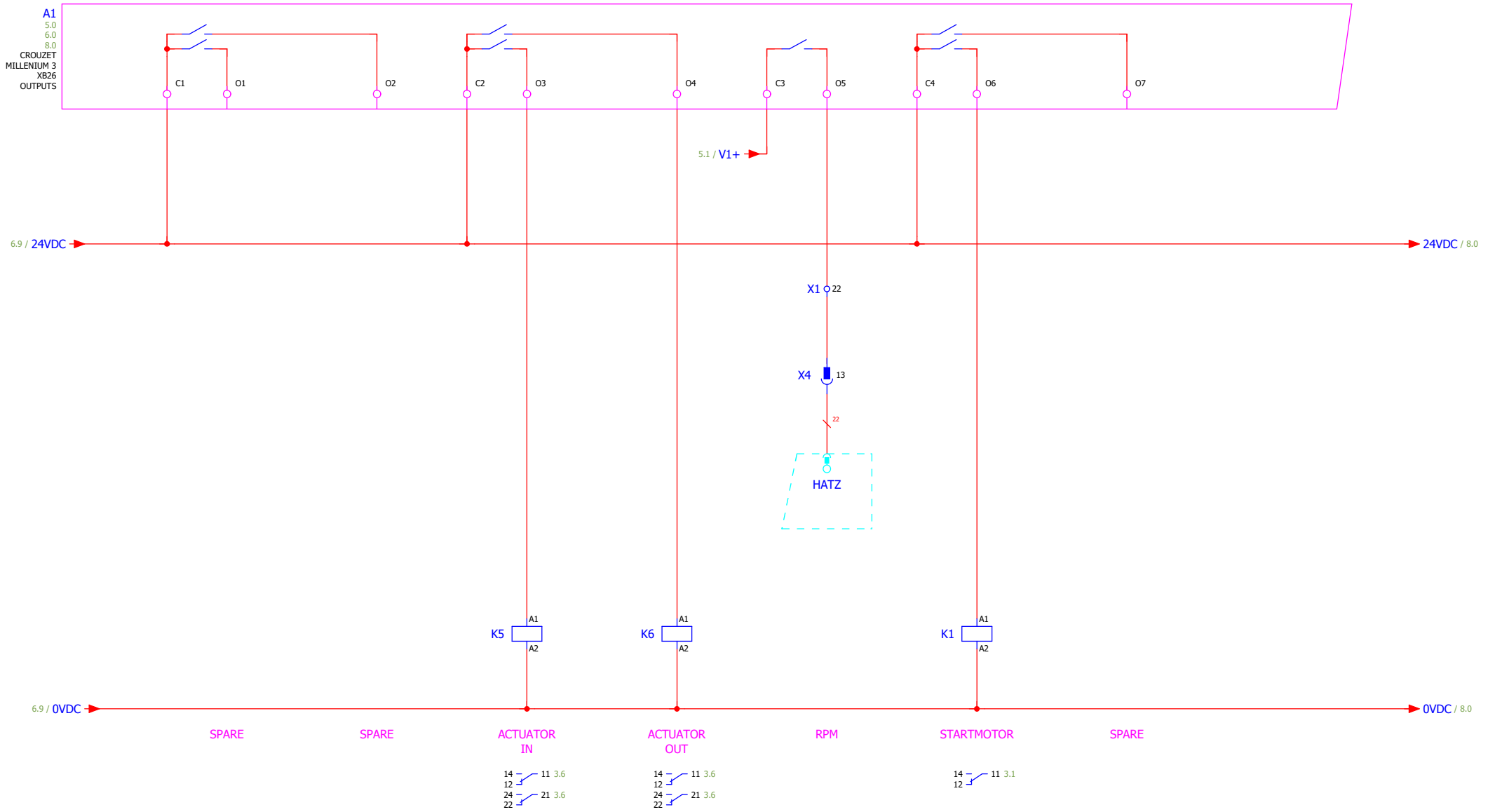
ACTUATOR FEEDBACK

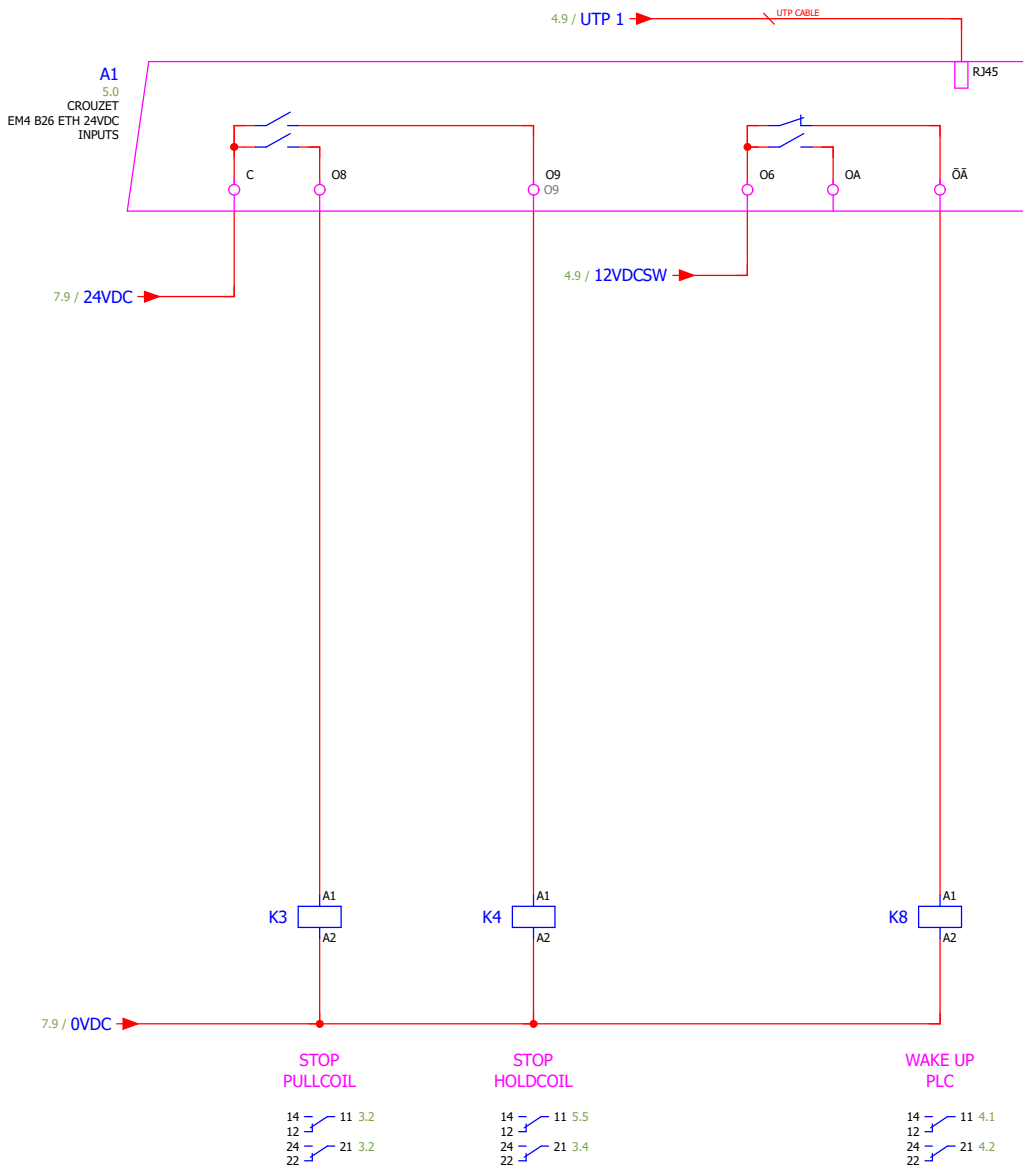
			Date	22-10-2019	Impulse Pumps BV Arendsenweg 9 7021 PC Zelhem	
			Ed.	paul		
			Appr			
Modification	Date	Name	Original		Replacement of	Replaced by



PLC INPUT 9-G

Diesel pump control box for YAMUNA pumps ecomizer pro
Typenumber: 09.66





			Date	10-10-2019	Impulse Pumps BV	
			Ed.	paul	Arendsenweg 9	
			Appr		7021 PC Zelhem	
Modification	Date	Name	Original		Replacement of	Replaced by



PLC OUTPUT 8-A

Diesel pump control box for YAMUNA pumps ecomizer pro
Typenumber: 09.66