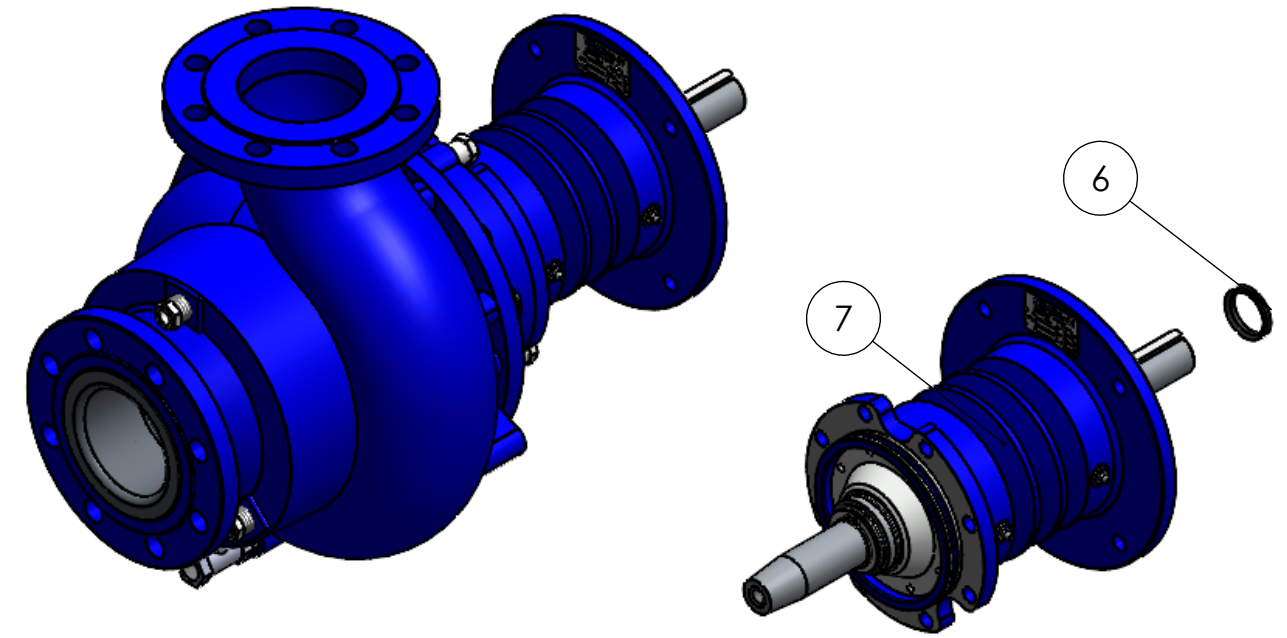
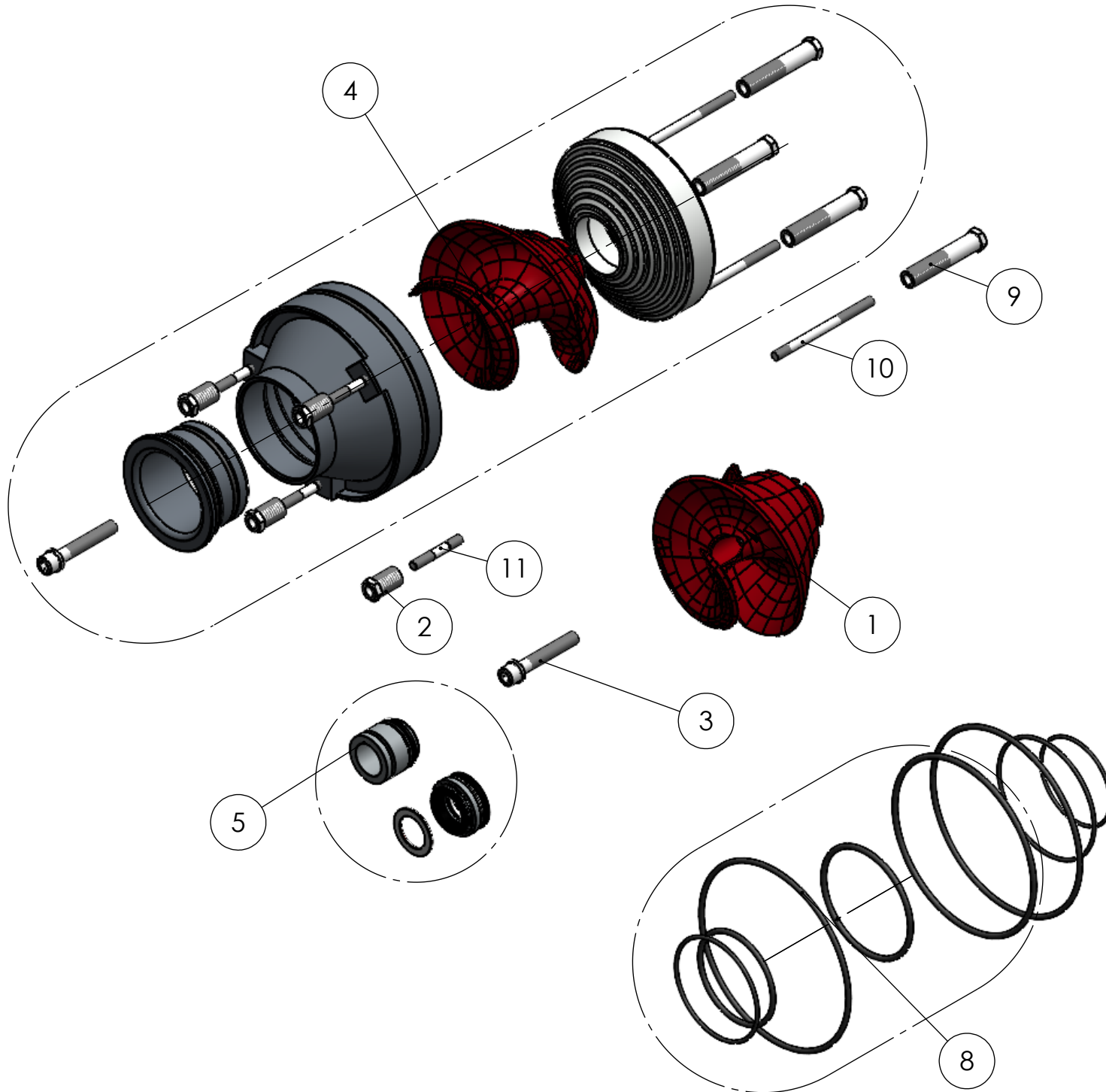


SIP 100-4 SPAREPARTS



ITEM NO.	PART NUMBER	DESCRIPTION
1	31335	Impeller SIP 100-4
2	30113	Adjustment Screw Pump House SIP-100-150
3	33698	IMPELLER BOLT WITH WASHER M14 x 90 mm
4	33696	SIP 100-4 INTERNAL REPLACEMENT SET
5	33697	SEAL SET SIP 100-4 / SIP 150-6
6	30108	V-Ring Seal 38 x 55 x 9 mm
7	30086	BEARING HOUSE REPLACEMENT SIP-100-150 (+BACKSEAL)
8	35106	O-RING SET SIP 100-4
9	30093	Adjustment Screw Back Cone SIP-100-150
10	33271	Stud Bolt M10 x 140-50-20
11	34058	Stud M10x70 28-20

Revision information					UNSPECIFIED GEOMETRICAL, LINEAR AND ANGULAR TOLERANCE SHALL CONFORM TO ISO 2768-MK (UNLESS OTHERWISE STATED)	format	scale	projection	
Rev	Date	Drn	Appr	Info	A3	1:6			
B	21-01-2025	JG	JG	-	Drawn: JG		web: www.impulsebv.com		
A	21-01-2025	JG	JG	-	Date: 17-12-2024		Material:		
-	16-01-2025		JE	-	Rev.: B		Weight: 143.67 Kg		
					State: Approved		Treatm.: Assemble		

PDM No. : 35056 Title: SIP 100-4 PUMP - EXPLODED VIEW