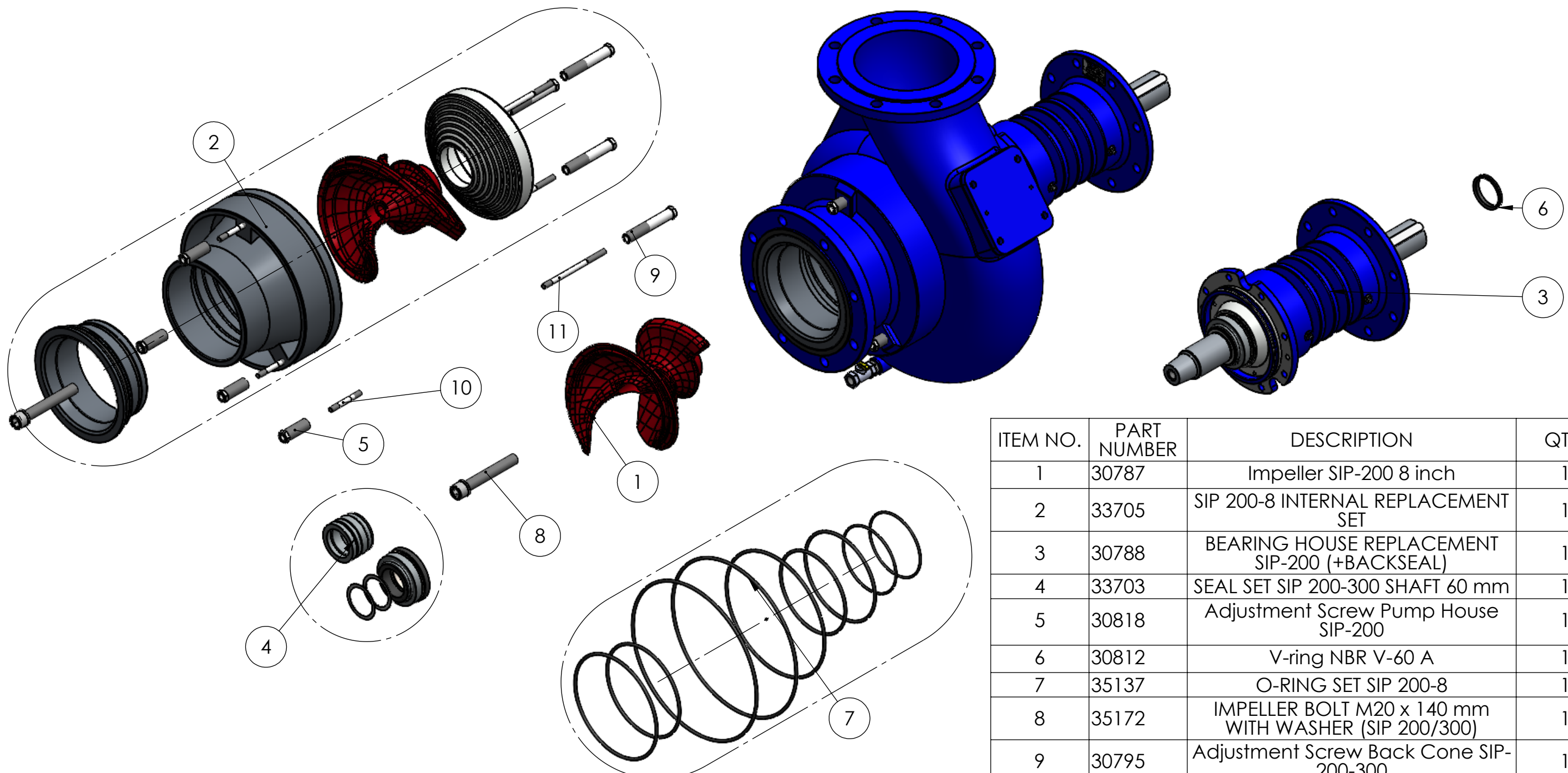


SIP 200-8 SPAREPARTS



ITEM NO.	PART NUMBER	DESCRIPTION	QTY.
1	30787	Impeller SIP-200 8 inch	1
2	33705	SIP 200-8 INTERNAL REPLACEMENT SET	1
3	30788	BEARING HOUSE REPLACEMENT SIP-200 (+BACKSEAL)	1
4	33703	SEAL SET SIP 200-300 SHAFT 60 mm	1
5	30818	Adjustment Screw Pump House SIP-200	1
6	30812	V-ring NBR V-60 A	1
7	35137	O-RING SET SIP 200-8	1
8	35172	IMPELLER BOLT M20 x 140 mm WITH WASHER (SIP 200/300)	1
9	30795	Adjustment Screw Back Cone SIP-200-300	1
10	35136	Stud M10 x 80 mm 28-20	1
11	34059	Stud M10x165 50-20	1

Revision information				UNSPECIFIED GEOMETRICAL, LINEAR AND ANGULAR TOLERANCE SHALL CONFORM TO ISO 2768-MK (UNLESS OTHERWISE STATED)		format	scale	projection	
Rev	Date	Drn	Appr	Info		A3	1:8		
A	22-01-2025	JG	JG	-		Drawn: JG		web: www.impulsebv.com	
-	20-01-2025		JG	-		Date: 20-01-2025		Material:	
						Rev.: A		Weight: 377.61 Kg	
						State: Approved		Treatm.: Assemble	
PDM No. : 35094				Title: PUMP SIP-200 EXPLODED VIEW					

All rights strictly reserved. Reproduction or issue to third parties in any form whatever is not permitted without written authority from the proprietor. Property of Impulse Holding B.V. Copyright Impulse Pumps B.V.