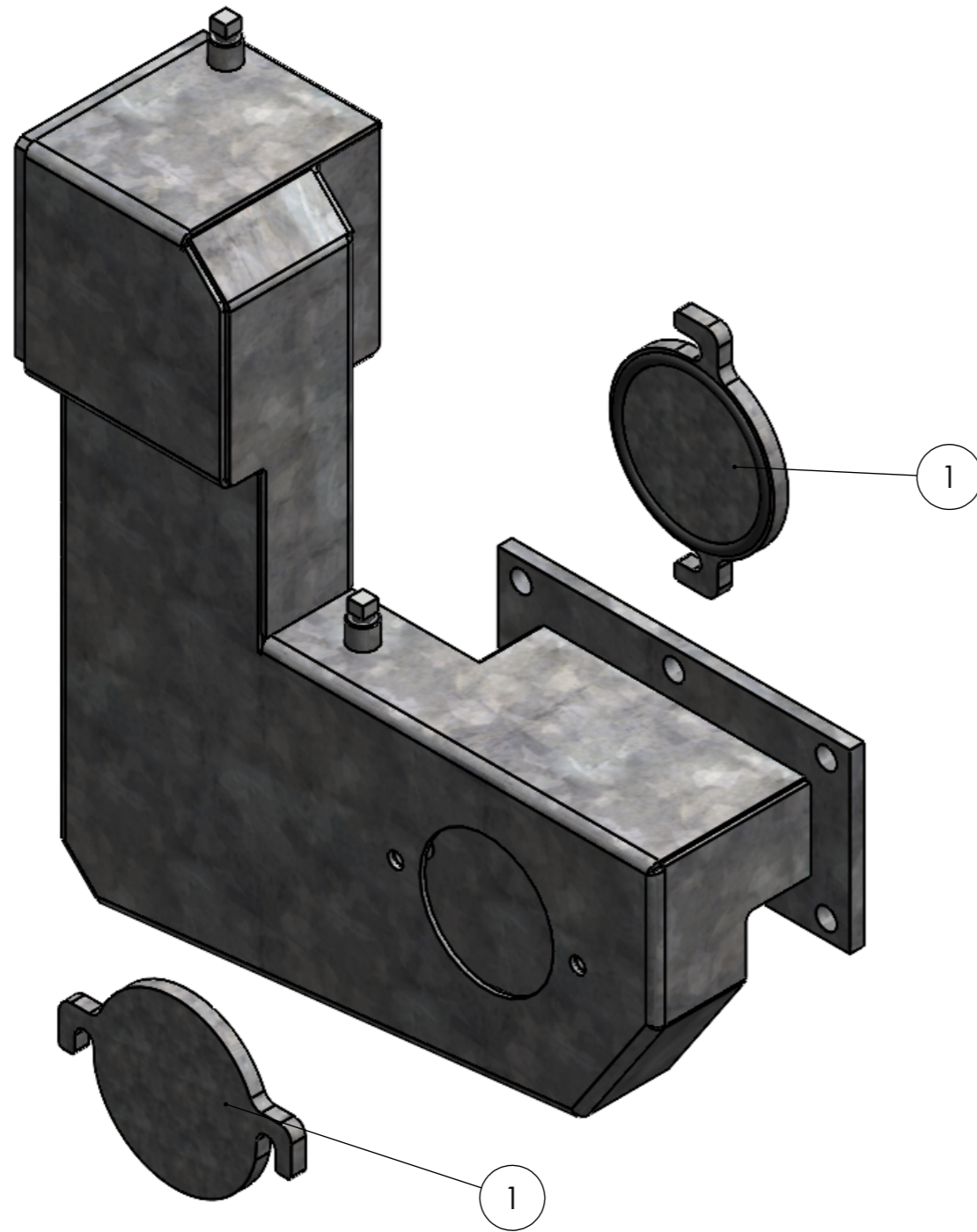


STONEBOX SPAREPARTS



ITEM NO.	PART NUMBER	DESCRIPTION	QTY.
1	22476	STONE BOX INSPECTION PLATE COMPLETE	2
Revision information		UNSPECIFIED GEOMETRICAL, LINEAR AND ANGULAR TOLERANCE SHALL CONFORM TO ISO 2768-MK (UNLESS OTHERWISE STATED)	format scale projection
Rev	Date	Drn	Appr
-	21-01-2025	JG	-
Info		A3	1:4
PDM No. : 35097		Title: STONE BOX IP 175 EXPLODED VIEW	



web: www.impulsebv.com

Material:

Weight: 23.64 Kg

Treatm. : Assemble